

PL4803-1801

www.keruigroup.com

KERUI MUD PUMP EXPENDABLES FLUID END MODULE AND ACCESSORIES



2018.07.01

Disclaimer:

Kerui is an independent manufacturer of replacement parts. Kerui is neither a licensee, nor is it affiliated with any of the Original Equipment Manufacturers named throughout unless specifically noted. Any names and trademarks used herein are solely for identification purposes and are not intended to cause confusion as to the source of the parts. The OEM's named throughout do not sponsor, promote, warranty or endorse Kerui's products. Part number usage is for identification purposes only.

TABLE OF CONTENTS

DESCRIPTION	PAGE
INTRODUCTION	
LINERS	4
HIGH CHROME LINER	5
ZIRCONIA CERAMIC LINER.....	5
PISTON	7
REPLACEABLE RUBBER PISTONS	7
BONDED RUBBER PISTONS.....	8
BONDED TRIPLEX URETHANE PISTONS.....	8
HIGH TEMPERATRURE BONDED URETHANE PISTONS.....	8
VALVES AND SEATS	9
PISTON RODS	10
EXTENSION RODS.....	10
FLUID END MODULES	11
FLIUD END ACCESSORIES.....	12
RUBBER AND ELASTOMER PRODUCTS.....	13
PULSATION DEMPENERS.....	14
MUD PUMP EXPENDABLES	15
BOMCO F-500 (Imperial).....	16
BOMCO F-500 (Metric).....	17
BOMCO F-800 (Imperial).....	18
BOMCO F-800 (Metric).....	19
BOMCO F-1000 (Imperial).....	20
BOMCO F-1000 (Metric).....	21
BOMCO F-1300 (Imperial).....	22
BOMCO F-1300 (Metric).....	23
BOMCO F-1600 (Imperial).....	24
BOMCO F-1600 (Metric).....	25
BOMCO F-1600HL.....	26
BOMCO F-2200HL.....	27
EMSCO F-350.....	28
EMSCO F-500.....	29
EMSCO F-650.....	30
EMSCO F-800.....	31
EMSCO F-1000.....	32
EMSCO FB-1300	33
EMSCO FB-1600	34
OPI 700HDL.....	35
GARDNER DENVER PAH (All Models), PJ8A.....	36
GARDNER DENVER TEE, TGE.....	37
GARDNER DENVER PZ-7	38
GARDNER DENVER PZ-8	39
GARDNER DENVER PZ-9	40
GARDNER DENVER PZ-10	41
GARDNER DENVER PZ-11	42
IDECO T-500.....	43
IDECO T-800.....	44
IDECO T-1000.....	45
IDECO T-1300.....	46
IDECO T-1600.....	47

OILWELL A-560-PT	48
OILWELL A-350/600-PT	49
OILWELL A-850-PT	50
OILWELL A-1100-PT	51
OILWELL A-1400-PT	52
OILWELL A-1700-PT	53
NATIONAL JWS165/340	54
NATIONAL JWS400	55
NATIONAL 7-P-50	56
NATIONAL 8-P-80	57
NATIONAL 9-P-100	58
NATIONAL 10-P-130	59
NATIONAL 12-P-160	60
FLUID END MODULE AND ACCESSORIES	61
BOMCO F500 (Imperial)	62
BOMCO F500 (Metric)	63
BOMCO F800 & F1000 (Imperial)	65
BOMCO F800 & F1000 (Metric)	67
BOMCO F1300 & F1600 (Imperial)	69
BOMCO F1300 & F1600 (Metric)	71
EMSCO F350 & F500 & F650	73
EMSCO F800 & F1000	75
EMSCO FB1300 & FB1600	77
GARDNER DENVER PAH (ALL Models)	79
GARDNER DENVER PZ-7 , PZ-8 & PZ-9	81
GARDNER DENVER PZ-10 & PZ-11	83
NATIONAL 7-P-50	85
NATIONAL 8-P-80	87
NATIONAL 9-P-100	89
NATIONAL 10-P-130	91
NATIONAL 12-P-160	93
OILWELL A-600-PT	95
OILWELL A-850-PT, A-1100-PT, A-1400-PT & A-1700-PT	97
IDECO T-500, T-800 & T-1000	99
IDECO T-1300 & T-1600	101

LINERS

KERUI mud pump Liners are designed to be interchangeable with OEM triplex pumps. All our liners are made with a high strength forged steel shell machined to fit triplex pumps and fitted with high pressure lip sleeve. The liner is precision machined to exact tolerances to keep the liner concentric. The sleeve is manufactured to the bore tolerances specified by API to provide longer life by reducing gaps between the liner bore and piston. After the shell and sleeve are assembled, the I.D. of the liner is honed to a perfect circle and polished to a mirror finish.

HIGH CHROME LINER

The outer section or shell is manufactured from high strength carbon steel and heat treated to provide optimum mechanical properties. The inner section or sleeve, is manufactured from a proprietary high chrome content iron alloy that offers excellent resistance to wear. The high percentage and thorough distribution of chrome carbides in conjunction with controlled heat treatment for maximum metallurgical properties, prior to assembly in the shell, gives a very high degree of uniformity in microstructure and wall section hardness. This results in a sleeve that has excellent abrasion, erosion and corrosion resistance. The sleeve is manufactured to the bore tolerances specified by API or better to provide longer life by reducing gaps between the liner bore and piston.

FEATURES/BENEFITS

- Rated for all drilling operations.
- Bore hardness is 62-69 Rockwell.
- HP lip design to prevent inner sleeve slippage.
- Excellent resistance to abrasion, erosion and corrosion.
- Extremely long service life.



ZIRCONIA CERAMIC LINER

KERUI Ceramic Liners offer longer run times, lower operating costs and reduced risk exposure when compared to operating with chrome iron liners.

The ceramic sleeve material is manufactured from alumina oxide, known for its wear resistance, and has proven run times in all types of operating conditions. The outer hull material for large bore liners is manufactured from alloy steel to increase yield strength and aid in fatigue resistance. KERUI ceramic liners are corrosion resistant and have a smoother surface finish for reduced friction and heat.

FEATHERS/BENIFITS

“HP” Design with shoulder on hull to prevent sleeve slippage.

ID tolerances is $+.010"/-.000"$

Surface finish 4-8 RMS

Expected run life exceeding 10,000 hours

Hardness: HV 0.3 kg/mm - 1100/1200 (92-94 Rc)

- (Chrome sleeved liners are 60-64 Rc)

Ceramic liners do not create ID ridges which are common in high chrome liners.

-ID ridges are a cause of piston failures.

-Ceramic liners improve piston run life.

Ceramic liners are pressure rated to pump performance by piston size.

Liners are available in sizes 4-1/2" to 8".

Liners are available for popular pumps.



PISTON

KERUI provides a wide variety of pistons for mud pump applications, including bonded, urethane, rubber, and replaceable rubber or urethane inserts.

- All bonded and replaceable pistons are available in popular sizes.

REPLACEABLE RUBBER PISTONS

KERUI replaceable rubber pistons are made with nitrile rubber and the piston's maximum pressure capability is due to this oil, water, and heat resistant material. These pistons are fully interchangeable with most other manufacturers.

KERUI pistons are highly resistant to extrusion wear under the highest pump pressures. Replaceable rubber piston offers maximum resistance to bending and hoop stresses generated by cylinder loads and rod fits, a benefit of their premium forged alloy steel bodies. Rated for all drilling operations up to 5000psi. Available sizes range from 3" through 7 1/2" and series are A, B, K, and L.



Replaceable Rubber Piston Assembly



Piston Rubber Assembly

BONDED RUBBER PISTONS

Developed for medium service applications, these pistons are constructed of oil resistant rubber, bonded to a solid metal hub. This design permits increased movement of the lip and provides a complete liner to piston seal even with the enlarged diameter of a worn liner. Rated for all drilling operations up to 2500psi.



Duplex Bonded Rubber Piston



Triplex Bonded Rubber Piston

BONDED TRIPLEX URETHANE PISTONS

KERUI's bonded urethane piston is designed for resistance to extrusions and abrasions. And with water cooling it will provide optimum performance in oil base mud and high drilling pressures.

FEATURES

- Rated for all drilling operations up and exceeding 5000psi
- Maximum operating temperature is 170°F
- Extended service life
- High pressure service



"Double Duro" Bonded Triplex Urethane Piston

HIGH TEMPERATURE BONDED URETHANE PISTONS

KERUI's bonded urethane piston is designed to cover higher temperature and pressure capabilities, Resistant to extrusion and abrasion, and with water cooling this piston will provide optimum performance

FEATURES

- Rated for all drilling operations up and exceeding 5000psi
- Maximum operating temperature is 200°F
- Extended service life
- High temperature tolerant
- High tolerant to chemical attack.



High Temperature Bonded Urethane Triplex Piston

VALVES AND SEATS

Providing a full range of full open, 3 web, 4 web and G2 type design valves and seats available in API 4 thru 8 sizes to fit all major mud pumps and accommodate for all types of drilling conditions, mud properties temperatures



KERUI 4-WEB Type Valve



KERUI 3-WEB Type Valve



KERUI Full Open Valve
100% interchangeable with Mission
Roughneck HP Style



KERUI G2 Type Valve
100% interchangeable with Mission
Roughneck 'FK-N' Style



KERUI Roughneck Valve



BOMCO Style Full Open Valve

PISTON RODS

KERUI piston rods are made with premium-grad heat-treated alloy steel. The rods offer excellent resistance to fatigue, corrosion and heavy loads. A full line of piston are available for various pump models.

FEATURES

Fabricated with quality alloy steel.
Numerically controlled machining.
Long-lasting service life.
Clamped and threaded.



EXTENSION RODS

KERUI extension rods are made from high-strength alloy steel, either heat treated or chrome plated. The rod offers excellent resistance to fatigue, corrosion and heavy loads. They are machined and polished to ensure a perfect seal for protection of the mud pump gear end.

FEATURES

Fabricated with quality alloy steel.
Numerically controlled machining.
Long-lasting service life.
Clamped and threaded.

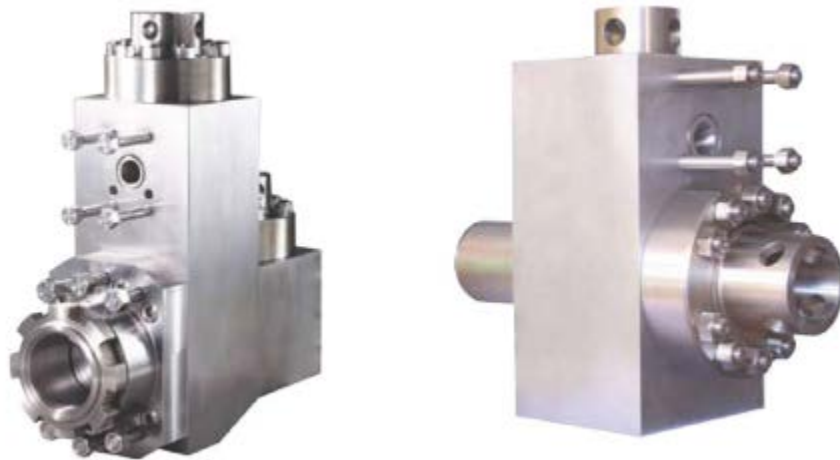


FLUID END MODULES

Our high-strength, triple reduction, forged steel triplex fluid end modules are made from the highest alloy steel. Heat treated for long working life, they are machined to perfection and packaged for delivery with anti-corrosion protection. The precision-made jewelry-like exterior finish reflects out superior quality.

FEATHERS

- Completely interchangeable with OEM
- Premium-forged alloy steel.
- Made on CNC boring mills.
- Strict computer controlled heat treat procedures.
- Rigid inspection.
- Rated for all drilling operations up to 7500psi.



FLUID END ACCESSORIES

KERUI fluid end accessories are available for most of the popular triplex mud pumps. CNC machining renders these accessories uniformly dimensional and interchangeable with OEM. The perfect exterior surface reflects our superior quality.

Associated Items

- Valve and cylinder head plug
- Valve and cylinder head thread ring
- Valve and cylinder head lock
- Stud and nut
- Specialty items



RUBBER AND ELASTOMER PRODUCTS

Extension rod seals
Valve guide bushings
Manifold O-ring
Baffle splash guards.



Valve cover and cylinder head seals
Liner gaskets, wear plate gaskets



PULSATION DEMPENERS

KERUI supplies forged and casted steel pulsation dampeners which are interchangeable with HYDRIL “K” Series dampeners, Emsco “PD” series dampeners and Bomco “KB” series dampeners. These units are dependable and reliable with API connections.

Model	Volume(Gallon)	Max. service pressure	Standard Bottom Connection
K-10	10	3000psi	API 4” 3000psi Ring Joint
K-10	10	5000psi	API 4” 5000psi Ring Joint
K-20	20	5000psi	API 4” 5000psi Ring Joint
PD-45	10	5000psi	API 4” 5000psi Ring Joint
PD-55	20	5000psi	API 4” 5000psi Ring Joint
KB-45	10	5000psi	API 4” 5000psi Ring Joint
KB-75	20	5000psi	API 4” 5000psi Ring Joint



MUD PUMP EXPENDABLES

BOMCO F-500 (Imperial)

6³/₄ x 7¹/₂

F-500 (Imperial)

Liners & Liner Packing		
SIZES	LINER	LINER PACKING
4"	KR-0146-40	KRG-281
4½"	KR-0146-44	KRG-281
5"	KR-0146-50	KRG-281
5½"	KR-0146-54	KRG-281
6"	KR-0146-60	KRG-281
6¼"	KR-0146-62	KRG-281
6½"	KR-0146-64	KRG-281
6¾"	KR-0146-66	KRG-281

Gaskets	
Valve Cover Gasket	Cylinder Head Gasket
KRG-733	KRG-281

SERIES	VALVE	SEAT	SPRING	URETHANE INSERT	PULLER HEAD
4 WEB	KR-U5B-05	KR-5DD-B1	KR-5710-111	KR-UDD-5B	KR-1700-5
FULL OPEN	KR-5DFO-V1	KR-5DFO-S1	KR-5710-030	KR-5DFO-SI	KR-1700-5FO
FULL OPEN-BOMCO TYPE	KR-AH-V500	KR-AH-S505	KR-AH-SP101	KR-AH-I504	KR-AH-PH50300

Piston Size	High Temperature	Replaceable Rubber Piston	Rubber Kits	Rubber Bonded	Urethane Bonded
4"	KR-RT-400-10	KR-I40HK10	KR-I40HK	KR-RB-400-10	KR-LL-400-10
4½"	KR-RT-440-10	KR-I44HK10	KR-I44HK	KR-RB-440-10	KR-LL-440-10
5"	KR-RT-500-10	KR-I50HB10	KR-I50HB	KR-RB-500-10	KR-LL-500-10
5½"	KR-RT-540-10	KR-I54HB10	KR-I54HB	KR-RB-540-10	KR-LL-540-10
6"	KR-RT-600-10	KR-I60HB10	KR-I60HB	KR-RB-600-10	KR-LL-600-10
6½"	KR-RT-640-10	KR-I64HL10	KR-I64HL	KR-RB-640-10	KR-LL-640-10

* ¼ Size are available upon request

RODS					
	PISTON ROD	SUB ROD	EXTENSION	ROD CLAMP	PISTON ROD
PART NO.	KR-52504	N/A	KR-51410	KR-51600	KR-513001

BOMCO F-500 (Metric)

Ø170x191

F-500 (Metric)

Liners & Liner Packing		
SIZES	LINER	LINER PACKING
Ø100	KR-0146-100	KRG-281
Ø110	KR-0146-110	KRG-281
Ø120	KR-0146-120	KRG-281
Ø130	KR-0146-130	KRG-281
Ø140	KR-0146-140	KRG-281
Ø150	KR-0146-150	KRG-281
Ø160	KR-0146-160	KRG-281
Ø170	KR-0146-170	KRG-281

Gaskets	
Valve Cover Gasket	Cylinder Head Gasket
KRG-733	KRG-281

SERIES	VALVE	SEAT	SPRING	URETHANE INSERT	PULLER HEAD
4 WEB	KR-U5B-05	KR-5DD-B1	KR-5710-111	KR-UDD-5B	KR-1700-5
FULL OPEN	KR-5DFO-V1	KR-5DFO-S1	KR-5710-030	KR-5DFO-SI	KR-1700-5FO
FULL OPEN-BOMCO TYPE	KR-AH-V500	KR-AH-S505	KR-AH-SP101	KR-AH-I504	KR-AH-PH50300

Piston Size	High Temperature	Replaceable Rubber Piston	Rubber Kits	Rubber Bonded	Urethane Bonded
Ø100	KR-RT-100-25	KR-M100HK25	KR-M100HK	KR-RB-100-25	KR-LL-100-25
Ø110	KR-RT-110-25	KR-M110HK25	KR-M110HK	KR-RB-110-25	KR-LL-110-25
Ø120	KR-RT-120-25	KR-M120HB25	KR-M120HB	KR-RB-120-25	KR-LL-120-25
Ø130	KR-RT-130-25	KR-M130HB25	KR-M130HB	KR-RB-130-25	KR-LL-130-25
Ø140	KR-RT-140-25	KR-M140HB25	KR-M140HB	KR-RB-140-25	KR-LL-140-25
Ø150	KR-RT-150-25	KR-M150HB25	KR-M150HL	KR-RB-150-25	KR-LL-150-25
Ø160	KR-RT-160-25	KR-M160HL25	KR-M160HL	KR-RB-160-25	KR-LL-160-25
Ø170	KR-RT-170-25	KR-M170HL25	KR-M170HL	KR-RB-170-25	KR-LL-160-25

RODS					
	PISTON ROD	SUB ROD	EXTENSION ROD	ROD CLAMP	PISTON ROD NUT
PART NO.	KR-51512	N/A	KR-51410	KR-51500	KR-573002

BOMCO F-800 (Imperial)

F-800 (Imperial)

6¾ × 9

Liners & Liner Packing		
SIZES	LINER	LINER PACKING
4"	KR-0148-40	KRG-282
4½"	KR-0148-44	KRG-282
5"	KR-0148-50	KRG-282
5½"	KR-0148-54	KRG-282
6"	KR-0148-60	KRG-282
6¼"	KR-0148-62	KRG-282
6½"	KR-0148-64	KRG-282
6¾"	KR-0148-66	KRG-282

Gaskets	
Valve Cover Gasket	Cylinder Head Gasket
KRG-740	KRG-282

SERIES	VALVE	SEAT	SPRING	URETHANE INSERT	PULLER HEAD
4 WEB	KR-U5B-EH	KR-6ADD-B6	KR-5710-111	KR-UDD-6AB	KR-1700-6
4 WEB HIGH TEMP	KR-U5B-EHHT	KR-6ADD-B6	KR-5710-111	KR-UDD-6ABHT	KR-1700-6
FULL OPEN	KR-6FO-V1	KR-6FO-S1	KR-5710-115	KR-6FO-SI	KR-1700-6FO
G2	KR-1560995	KR-1561380	KR-1560701	KR-1560587	KR-1700-6G2
ROUGHNECK	KR-RN6-V1	KR-RN6-S6	KR-5710-110L	KR-RN6-I	KR-1700-6FO
FULL OPEN-BOMCO TYPE	KR-AH-V100	KR-AH-S101	KR-AH-SP101	KR-AH-I205	KR-AH-PH10600

Piston Size	High Temperature	Replaceable Rubber Piston	Rubber Kits	Rubber Bonded	Urethane Bonded
4"	KR-RT-400	KR-I40HK14/15	KR-I40HK	KR-RB-400	KR-LL-400
4½"	KR-RT-440	KR-I44HK14/15	KR-I44HK	KR-RB-440	KR-LL-440
5"	KR-RT-500	KR-I50HB14/15	KR-I50HB	KR-RB-500	KR-LL-500
5½"	KR-RT-540	KR-I54HB14/15	KR-I54HB	KR-RB-540	KR-LL-540
6"	KR-RT-600	KR-I60HB14/15	KR-I60HB	KR-RB-600	KR-LL-600
6½"	KR-RT-640	KR-I64HL14/15	KR-I64HL	KR-RB-640	KR-LL-640
6¾"	KR-RT-660	KR-I66HL14/15	KR-I66HL	KR-RB-660	KR-LL-660

* ¼ Size are available upon request

RODS					
	PISTON ROD	SUB ROD	EXTENSION ROD	ROD CLAMP	PISTON ROD NUT
PART NO.	KR-82503	N/A	KR-82402	KR-82400	KR-513003

BOMCO F-800 (Metric)

Ø170× 229

F-800 (Metric)

Liners & Liner Packing		
SIZES	LINER	LINER PACKING
Ø100	KR-0148-100	KRG-282
Ø110	KR-0148-110	KRG-282
Ø120	KR-0148-120	KRG-282
Ø130	KR-0148-130	KRG-282
Ø140	KR-0148-140	KRG-282
Ø150	KR-0148-150	KRG-282
Ø160	KR-0148-160	KRG-282
Ø170	KR-0148-170	KRG-282

Gaskets	
Valve Cover Gasket	Cylinder Head Gasket
KRG-740	KRG-282

SERIES	VALVE	SEAT	SPRING	URETHANE INSERT	PULLER HEAD
4 WEB	KR-U5B-EH	KR-6ADD-B6	KR-5710-111	KR-UDD-6AB	KR-1700-6
4 WEB HIGH TEMP	KR-U5B-EHHT	KR-6ADD-B6	KR-5710-111	KR-UDD-6ABHT	KR-1700-6
FULL OPEN	KR-6FO-V1	KR-6FO-S1	KR-5710-115	KR-6FO-SI	KR-1700-6FO
G2	KR-1560995	KR-1561380	KR-1560701	KR-1560587	KR-1700-6G2
ROUGHNECK	KR-RN6-V1	KR-RN6-S6	KR-5710-110L	KR-RN6-I	KR-1700-6FO
FULL OPEN-BOMCO TYPE	KR-AH-V100	KR-AH-S101	KR-AH-SP101	KR-AH-I205	KR-AH-PH10600

Piston Size	High Temperature	Replaceable Rubber Piston	Rubber Kits	Rubber Bonded	Urethane Bonded
Ø100	KR-RT-100	KR-M100HK38/42	KR-M100HK	KR-RB-100	KR-LL-100
Ø110	KR-RT-110	KR-M110HK38/42	KR-M110HK	KR-RB-110	KR-LL-110
Ø120	KR-RT-120	KR-M120HB38/42	KR-M120HB	KR-RB-120	KR-LL-120
Ø130	KR-RT-130	KR-M130HB38/42	KR-M130HB	KR-RB-130	KR-LL-130
Ø140	KR-RT-140	KR-M140HB38/42	KR-M140HB	KR-RB-140	KR-LL-140
Ø150	KR-RT-150	KR-M150HB38/42	KR-M150HB	KR-RB-150	KR-LL-150
Ø160	KR-RT-160	KR-M160HL38/42	KR-M160HL	KR-RB-160	KR-LL-160
Ø170	KR-RT-170	KR-M170HL38/42	KR-M170HL	KR-RB-170	KR-LL-170

RODS					
	PISTON ROD	SUB ROD	EXTENSION ROD	ROD CLAMP	PISTON ROD NUT
PART NO.	KR-81502	N/A	KR-81406	KR-81400	KR-573005

BOMCO F-1000 (Imperial)

6¾ x 10

F-1000 (Imperial)

Liners & Liner Packing		
SIZES	LINER	LINER PACKING
4"	KR-0148-40	KRG-282
4½"	KR-0148-44	KRG-282
5"	KR-0148-50	KRG-282
5½"	KR-0148-54	KRG-282
6"	KR-0148-60	KRG-282
6¼"	KR-0148-62	KRG-282
6½"	KR-0148-64	KRG-282
6¾"	KR-0148-66	KRG-282

Gaskets	
Valve Cover Gasket	Cylinder Head Gasket
KRG-740	KRG-282

SERIES	VALVE	SEAT	SPRING	URETHANE INSERT	PULLER HEAD
4 WEB	KR-U5B-EH	KR-6ADD-B6	KR-5710-111	KR-UDD-6AB	KR-1700-6
4 WEB HIGH TEMP	KR-U5B-EHHT	KR-6ADD-B6	KR-5710-111	KR-UDD-6ABHT	KR-1700-6
FULL OPEN	KR-6FO-V1	KR-6FO-S1	KR-5710-115	KR-6FO-SI	KR-1700-6FO
G2	KR-1560995	KR-1561380	KR-1560701	KR-1560587	KR-1700-6G2
ROUGHNECK	KR-RN6-V1	KR-RN6-S6	KR-5710-110L	KR-RN6-I	KR-1700-6FO
FULL OPEN-BOMCO TYPE	KR-AH-V100	KR-AH-S101	KR-AH-SP101	KR-AH-I205	KR-AH-PH10600

Piston Size	High Temperature	Replaceable Rubber Piston	Rubber Kits	Rubber Bonded	Urethane Bonded
4"	KR-RT-400	KR-I40HK14/15	KR-I40HK	KR-RB-400	KR-LL-400
4½"	KR-RT-440	KR-I44HK14/15	KR-I44HK	KR-RB-440	KR-LL-440
5"	KR-RT-500	KR-I50HB14/15	KR-I50HB	KR-RB-500	KR-LL-500
5½"	KR-RT-540	KR-I54HB14/15	KR-I54HB	KR-RB-540	KR-LL-540
6"	KR-RT-600	KR-I60HB14/15	KR-I60HB	KR-RB-600	KR-LL-600
6½"	KR-RT-640	KR-I64HL14/15	KR-I64HL	KR-RB-640	KR-LL-640
6¾"	KR-RT-660	KR-I66HL14/15	KR-I66HL	KR-RB-660	KR-LL-660

* ¼ Size are available upon request

RODS					
	PISTON ROD	SUB ROD	EXTENSION ROD	ROD CLAMP	PISTON ROD NUT
PART NO.	KR-102502	N/A	KR-101407	KR-102500	KR-513003

BOMCO F-1000 (Metric)

Ø170x254

F-1000 (Metric)

Liners & Liner Packing		
SIZES	LINER	LINER PACKING
Ø100	KR-0148-100	KRG-282
Ø110	KR-0148-110	KRG-282
Ø120	KR-0148-120	KRG-282
Ø130	KR-0148-130	KRG-282
Ø140	KR-0148-140	KRG-282
Ø150	KR-0148-150	KRG-282
Ø160	KR-0148-160	KRG-282
Ø170	KR-0148-170	KRG-282

Gaskets	
Valve Cover Gasket	Cylinder Head Gasket
KRG-740	KRG-282

SERIES	VALVE	SEAT	SPRING	URETHANE INSERT	PULLER HEAD
4 WEB	KR-U5B-EH	KR-6ADD-B6	KR-5710-111	KR-UDD-6AB	KR-1700-6
4 WEB HIGH TEMP	KR-U5B-EHHT	KR-6ADD-B6	KR-5710-111	KR-UDD-6ABHT	KR-1700-6
FULL OPEN	KR-6FO-V1	KR-6FO-S1	KR-5710-115	KR-6FO-SI	KR-1700-6FO
G2	KR-1560995	KR-1561380	KR-1560701	KR-1560587	KR-1700-6G2
ROUGHNECK	KR-RN6-V1	KR-RN6-S6	KR-5710-110L	KR-RN6-I	KR-1700-6FO
FULL OPEN-BOMCO TYPE	KR-AH-V100	KR-AH-S101	KR-AH-SP101	KR-AH-I205	KR-AH-PH10600

Piston Size	High Temperature	Replaceable Rubber Piston	Rubber Kits	Rubber Bonded	Urethane Bonded
Ø100	KR-RT-100	KR-M100HK38/42	KR-M100HK	KR-RB-100	KR-LL-100
Ø110	KR-RT-110	KR-M110HK38/42	KR-M110HK	KR-RB-110	KR-LL-110
Ø120	KR-RT-120	KR-M120HB38/42	KR-M120HB	KR-RB-120	KR-LL-120
Ø130	KR-RT-130	KR-M130HB38/42	KR-M130HB	KR-RB-130	KR-LL-130
Ø140	KR-RT-140	KR-M140HB38/42	KR-M140HB	KR-RB-140	KR-LL-140
Ø150	KR-RT-150	KR-M150HB38/42	KR-M150HB	KR-RB-150	KR-LL-150
Ø160	KR-RT-160	KR-M160HL38/42	KR-M160HL	KR-RB-160	KR-LL-160
Ø170	KR-RT-170	KR-M170HL38/42	KR-M170HL	KR-RB-170	KR-LL-170

RODS					
	PISTON ROD	SUB ROD	EXTENSION ROD	ROD CLAMP	PISTON ROD NUT
PART NO.	KR-101516	N/A	KR-101407	KR-AH-102900	KR-573005

BOMCO F-1300 (Imperial)

7½ x 12

F-1300 (Imperial)

Liners & Liner Packing		
SIZES	LINER	LINER PACKING
4"	KR-2145-40	KRG-800
4½"	KR-2145-44	KRG-800
5"	KR-2145-50	KRG-800
5½"	KR-2145-54	KRG-800
6"	KR-2145-60	KRG-800
6¼"	KR-2145-62	KRG-800
6½"	KR-2145-64	KRG-800
6¾"	KR-2145-66	KRG-800
7"	KR-2145-70	KRG-800
7½"	KR-2145-74	KRG-800

Gaskets	
Valve Cover Gasket	Cylinder Head Gasket
KRG-741	KRG-801

SERIES	VALVE	SEAT	SPRING	URETHANE	PULLER
4 WEB	KR-U5C-EEF	KR-7DD-B1	KR-5710-115	KR-UDD-7B	KR-1700-7
4 WEB HIGH TEMP	KR-U5C-EEFHT	KR-7DD-B1	KR-5710-115	KR-UDD-7BHT	KR-1700-7
FULL OPEN	KR-7FO-V1	KR-7FO-S1	KR-5710-115L	KR-7FO-SI	KR-1700-7FO
G2	KR-1560985	KR-1561370	KR-1560702	KR-1560557	KR-1700-7G2
3 WEB	KR-202PZL482A	KR-202PZL039	KR-5710-115	KR-201PZL106	KR-1700-7R
ROUGHNECK	KR-RN7-V1	KR-RN7-S1	KR-5710-115L	KR-RN7-I	KR-1700-7FO
FULL OPEN-BOMCO TYPE	KR-AH-V300	KR-AH-S302	KR-AH-SP101	KR-AH-I103	KR-AH-PH60600

Piston Size	High Temperature	Replaceable Rubber Piston	Rubber Kits	Rubber Bonded	Urethane Bonded
4"	KR-RT-400	KR-I40HK14/15	KR-I40HK	KR-RB-400	KR-LL-400
4½"	KR-RT-440	KR-I44HK14/15	KR-I44HK	KR-RB-440	KR-LL-440
5"	KR-RT-500	KR-I50HB14/15	KR-I50HB	KR-RB-500	KR-LL-500
5½"	KR-RT-540	KR-I54HB14/15	KR-I54HB	KR-RB-540	KR-LL-540
6"	KR-RT-600	KR-I60HB14/15	KR-I60HB	KR-RB-600	KR-LL-600
6½"	KR-RT-640	KR-I64HL14/15	KR-I64HL	KR-RB-640	KR-LL-640
7"	KR-RT-700	KR-I70HL14/15	KR-I70HL	KR-RB-700	KR-LL-700
7½"	N/A	KR-I74HL14/15	KR-I74HL	N/A	N/A

* ¼ Size are available upon request

RODS					
	PISTON ROD	SUB ROD	EXTENSION	ROD CLAMP	PISTON ROD NUT
PART NO.	KR-132504	N/A	KR-131409	KR-AH-132600	KR-513003

BOMCO F-1300 (Metric)

Ø180x305

F-1300 (Metric)

Liners & Liner Packing		
SIZES	LINER	LINER PACKING
Ø110	KR-2145-110	KRG-800
Ø120	KR-2145-120	KRG-800
Ø130	KR-2145-130	KRG-800
Ø140	KR-2145-140	KRG-800
Ø150	KR-2145-150	KRG-800
Ø160	KR-2145-160	KRG-800
Ø170	KR-2145-170	KRG-800
Ø180	KR-2145-180	KRG-800

Gaskets	
Valve Cover Gasket	Cylinder Head Gasket
KRG-741	KRG-801

SERIES	VALVE	SEAT	SPRING	URETHANE	PULLER
4 WEB	KR-U5C-EEF	KR-7DD-B1	KR-5710-115	KR-UDD-7B	KR-1700-7
4 WEB HIGH TEMP	KR-U5C-EEFHT	KR-7DD-B1	KR-5710-115	KR-UDD-7BHT	KR-1700-7
FULL OPEN	KR-7FO-V1	KR-7FO-S1	KR-5710-115L	KR-7FO-SI	KR-1700-7FO
G2	KR-1560985	KR-1561370	KR-1560702	KR-1560557	KR-1700-7G2
3 WEB	KR-202PZL482A	KR-202PZL039	KR-5710-115	KR-201PZL106	KR-1700-7R
ROUGHNECK	KR-RN7-V1	KR-RN7-S1	KR-5710-115L	KR-RN7-I	KR-1700-7FO
FULL OPEN-BOMCO TYPE	KR-AH-V300	KR-AH-S302	KR-AH-SP101	KR-AH-I103	KR-AH-PH60600

Piston Size	High Temperature	Replaceable Rubber Piston	Rubber Kits	Rubber Bonded	Urethane Bonded
Ø110	KR-RT-110	KR-M110HK38/42	KR-M110HK	KR-RB-110	KR-LL-110
Ø120	KR-RT-120	KR-M120HB38/42	KR-M120HK	KR-RB-120	KR-LL-120
Ø130	KR-RT-130	KR-M130HB38/42	KR-M130HB	KR-RB-130	KR-LL-130
Ø140	KR-RT-140	KR-M140HB38/42	KR-M140HB	KR-RB-140	KR-LL-140
Ø150	KR-RT-150	KR-M150HB38/42	KR-M150HB	KR-RB-150	KR-LL-150
Ø160	KR-RT-160	KR-M160HL38/42	KR-M160HL	KR-RB-160	KR-LL-160
Ø170	KR-RT-170	KR-M170HL38/42	KR-M170HL	KR-RB-170	KR-LL-170
Ø180	KR-RT-180	KR-M180HL38/42	KR-M180HL	KR-RB-180	KR-LL-180

RODS					
	PISTON ROD	SUB ROD	EXTENSION	ROD CLAMP	PISTON ROD NUT
PART NO.	KR-131516	N/A	KR-131409	KR-131900	KR-573005

BOMCO F-1600 (Imperial)

7½ x 12

F-1600 (Imperial)

Liners & Liner Packing		
SIZES	LINER	LINER PACKING
4"	KR-2145-40	KRG-800
4½"	KR-2145-44	KRG-800
5"	KR-2145-50	KRG-800
5½"	KR-2145-54	KRG-800
6"	KR-2145-60	KRG-800
6¼"	KR-2145-62	KRG-800
6½"	KR-2145-64	KRG-800
6¾"	KR-2145-66	KRG-800
7"	KR-2145-70	KRG-800
7½"	KR-2145-74	KRG-800

Gaskets	
Valve Cover Gasket	Cylinder Head Gasket
KRG-741	KRG-801

SERIES	VALVE	SEAT	SPRING	URETHANE	PULLER
4 WEB	KR-U5C-EEF	KR-7DD-B1	KR-5710-115	KR-UDD-7B	KR-1700-7
4 WEB HIGH TEMP	KR-U5C-EEFHT	KR-7DD-B1	KR-5710-115	KR-UDD-7BHT	KR-1700-7
FULL OPEN	KR-7FO-V1	KR-7FO-S1	KR-5710-115L	KR-7FO-SI	KR-1700-7FO
G2	KR-1560985	KR-1561370	KR-1560702	KR-1560557	KR-1700-7G2
3 WEB	KR-202PZL482A	KR-202PZL039	KR-5710-115	KR-201PZL106	KR-1700-7R
ROUGHNECK	KR-RN7-V1	KR-RN7-S1	KR-5710-115L	KR-RN7-I	KR-1700-7FO
FULL OPEN-BOMCO TYPE	KR-AH-V300	KR-AH-S302	KR-AH-SP101	KR-AH-I103	KR-AH-PH60600

Piston Size	High Temperature	Replaceable Rubber Piston	Rubber Kits	Rubber Bonded	Urethane Bonded
4"	KR-RT-400	KR-I40HK14/15	KR-I40HK	KR-RB-400	KR-LL-400
4½"	KR-RT-440	KR-I44HK14/15	KR-I44HK	KR-RB-440	KR-LL-440
5"	KR-RT-500	KR-I50HB14/15	KR-I50HB	KR-RB-500	KR-LL-500
5½"	KR-RT-540	KR-I54HB14/15	KR-I54HB	KR-RB-540	KR-LL-540
6"	KR-RT-600	KR-I60HB14/15	KR-I60HB	KR-RB-600	KR-LL-600
6½"	KR-RT-640	KR-I64HL14/15	KR-I64HL	KR-RB-640	KR-LL-640
7"	KR-RT-700	KR-I70HL14/15	KR-I70HL	KR-RB-700	KR-LL-700
7½"	N/A	KR-I74HL14/15	KR-I74HL	N/A	N/A

* ¼ Size are available upon request

RODS					
	PISTON ROD	SUB ROD	EXTENSION ROD	ROD CLAMP	PISTON ROD NUT
PART NO.	KR-132504	N/A	KR-131409	KR-AH-132600	KR-513003

BOMCO F-1600 (Metric)

Ø180x305

F-1600 (Metric)

Liners & Liner Packing		
SIZES	LINER	LINER PACKING
Ø110	KR-2145-110	KRG-800
Ø120	KR-2145-120	KRG-800
Ø130	KR-2145-130	KRG-800
Ø140	KR-2145-140	KRG-800
Ø150	KR-2145-150	KRG-800
Ø160	KR-2145-160	KRG-800
Ø170	KR-2145-170	KRG-800
Ø180	KR-2145-180	KRG-800

Gaskets	
Valve Cover Gasket	Cylinder Head Gasket
KRG-741	KRG-801

SERIES	VALVE	SEAT	SPRING	URETHANE	PULLER
4 WEB	KR-U5C-EEF	KR-7DD-B1	KR-5710-115	KR-UDD-7B	KR-1700-7
4 WEB HIGH TEMP	KR-U5C-EEFHT	KR-7DD-B1	KR-5710-115	KR-UDD-7BHT	KR-1700-7
FULL OPEN	KR-7FO-V1	KR-7FO-S1	KR-5710-115L	KR-7FO-SI	KR-1700-7FO
G2	KR-1560985	KR-1561370	KR-1560702	KR-1560557	KR-1700-7G2
3 WEB	KR-202PZL482A	KR-202PZL039	KR-5710-115	KR-201PZL106	KR-1700-7R
ROUGHNECK	KR-RN7-V1	KR-RN7-S1	KR-5710-115L	KR-RN7-I	KR-1700-7FO
FULL OPEN-BOMCO TYPE	KR-AH-V300	KR-AH-S302	KR-AH-SP101	KR-AH-I103	KR-AH-PH60600

Piston Size	High Temperature	Replaceable Rubber Piston	Rubber Kits	Rubber Bonded	Urethane Bonded
Ø110	KR-RT-110	KR-M110HK38/42	KR-M110HK	KR-RB-110	KR-LL-110
Ø120	KR-RT-120	KR-M120HB38/42	KR-M120HK	KR-RB-120	KR-LL-120
Ø130	KR-RT-130	KR-M130HB38/42	KR-M130HB	KR-RB-130	KR-LL-130
Ø140	KR-RT-140	KR-M140HB38/42	KR-M140HB	KR-RB-140	KR-LL-140
Ø150	KR-RT-150	KR-M150HB38/42	KR-M150HB	KR-RB-150	KR-LL-150
Ø160	KR-RT-160	KR-M160HL38/42	KR-M160HL	KR-RB-160	KR-LL-160
Ø170	KR-RT-170	KR-M170HL38/42	KR-M170HL	KR-RB-170	KR-LL-170
Ø180	KR-RT-180	KR-M180HL38/42	KR-M180HL	KR-RB-180	KR-LL-180

RODS					
	PISTON ROD	SUB ROD	EXTENSION ROD	ROD CLAMP	PISTON ROD NUT
PART NO.	KR-131516	N/A	KR-131409	KR-131900	KR-573005

BOMCO F-1600HL

Ø190×304.8

F-1600HL

Liners & Liner Packing		
SIZES	LINER	LINER PACKING
Ø120	KR-2146-120	KRG-170
Ø130	KR-2146-130	KRG-170
Ø140	KR-2146-140	KRG-170
Ø150	KR-2146-150	KRG-185
Ø160	KR-2146-160	KRG-185
Ø170	KR-2146-170	KRG-220
Ø180	KR-2146-180	KRG-220
Ø190	KR-2146-190	KRG-220

Gaskets	
Valve Cover Gasket	KRG-510
Module Gasket	KRG-113
Wear Plate Gasket	KRG-115

SERIES	VALVE	SEAT	SPRING	URETHANE INSERT	PULLER HEAD
API-7	KR-AH-V900	KR-AH-S402	KR-AH-SP102	KR-AH-I901	KR-AH-PH90100
API-7H	KR-AH-V900H	KR-AH-S402H	KR-AH-SP102H	KR-AH-I901H	KR-AH-PH90100

Piston Size	High Temperature	Replaceable Rubber Piston	Rubber Kits	Rubber Bonded	Urethane Bonded
Ø120	KR-RT-120	KR-M120HB38/42	KR-M120HB	KR-RB-120	KR-LL-120
Ø130	KR-RT-130	KR-M130HB38/42	KR-M130HB	KR-RB-130	KR-LL-130
Ø140	KR-RT-140	KR-M140HB38/42	KR-M140HB	KR-RB-140	KR-LL-140
Ø150	KR-RT-150	KR-M150HB38/42	KR-M150HB	KR-RB-150	KR-LL-150
Ø160	KR-RT-160	KR-M160HL38/42	KR-M160HL	KR-RB-160	KR-LL-160
Ø170	KR-RT-170	KR-M170HL38/42	KR-M170HL	KR-RB-170	KR-LL-170
Ø180	KR-RT-180	KR-M180HL38/42	KR-M180HL	KR-RB-180	KR-LL-180
Ø190	KR-RT-190	KR-M190HL38/42	KR-M190HL	KR-RB-190	KR-LL-190

* ¼ Size are available upon request

RODS					
	PISTON ROD	SUB ROD	EXTENSION ROD	ROD CLAMP	PISTON ROD NUT
PART NO.	KR-131516	N/A	KR-131409	KR-131900	KR-573005

BOMCO F-2200HL

Ø230×356

F-2200HL

Liners & Liner Packing		
SIZES	LINER	LINER PACKING
Ø130	KR-2147-130	KRG-190
Ø140	KR-2147-140	KRG-190
Ø150	KR-2147-150	KRG-190
Ø160	KR-2147-160	KRG-190
Ø170	KR-2147-170	KRG-220
Ø180	KR-2147-180	KRG-220
Ø190	KR-2147-190	KRG-220
Ø200	KR-2147-200	KRG-260
Ø210	KR-2147-210	KRG-260
Ø220	KR-2147-220	KRG-260
Ø230	KR-2147-230	KRG-260

Gaskets	
Valve Cover Gasket	KRG-525
Module Gasket	KRG-520
Wear Plate Gasket	KRG-619

SERIES	VALVE	SEAT	SPRING	URETHANE	PULLER HEAD
API 8	KR-AH-V522	KR-AH-S206	KR-AH-SP101	KR-AH-I503	KR-AH-PH50100
API 8H	KR-AH-V522H	KR-AH-S206H	KR-AH-SP101H	KR-AH-I503H	KR-AH-PH50100

Piston Size	High Temperature	Replaceable Rubber Piston	Rubber Kits	Rubber Bonded	Urethane Bonded
Ø130	KR-RT-130	KR-M130HB38/42	KR-M130HB	KR-RB-130	KR-LL-130
Ø140	KR-RT-140	KR-M140HB38/42	KR-M140HB	KR-RB-140	KR-LL-140
Ø150	KR-RT-150	KR-M150HB38/42	KR-M150HB	KR-RB-150	KR-LL-150
Ø160	KR-RT-160	KR-M160HL38/42	KR-M160HL	KR-RB-160	KR-LL-160
Ø170	KR-RT-170	KR-M170HL38/42	KR-M170HL	KR-RB-170	KR-LL-170
Ø180	KR-RT-180	KR-M180HL38/42	KR-M180HL	KR-RB-180	KR-LL-180
Ø190	KR-RT-190	KR-M190HL38/42	KR-M190HL	KR-RB-190	KR-LL-190
Ø200	KR-RT-200	KR-M200HL38/42	KR-M200HL	KR-RB-200	KR-LL-200
Ø210	KR-RT-210	KR-M210HL38/42	KR-M210HL	KR-RB-210	KR-LL-210
Ø220	KR-RT-220	KR-M220HL38/42	KR-M220HL	KR-RB-220	KR-LL-220
Ø230	KR-RT-230	KR-M230HL38/42	KR-M230HL	KR-RB-230	KR-LL-230

RODS					
	PISTON ROD	SUB ROD	EXTENSION ROD	ROD CLAMP	PISTON ROD NUT
Part Number	KR-221507	N/A	KR-221409	KR-221600	KR-573005

EMSCO F-350

6¾ x 7

F-350

Liners & Liner Packing		
SIZES	LINER	LINER PACKING
4"	KR-0146-40	KRG-281
4½"	KR-0146-44	KRG-281
5"	KR-0146-50	KRG-281
5½"	KR-0146-54	KRG-281
6"	KR-0146-60	KRG-281
6¼"	KR-0146-62	KRG-281
6½"	KR-0146-64	KRG-281
6¾"	KR-0146-66	KRG-281

Gaskets	
Valve Cover Gasket	Cylinder Head Gasket
KRG-733	KRG-281

SERIES	VALVE	SEAT	SPRING	URETHANE INSERT	PULLER HEAD
4 WEB	KR-U5B-05	KR-5DD-B1	KR-5710-111	KR-UDD-5B	KR-1700-5
FULL OPEN	KR-5DFO-V1	KR-5DFO-S1	KR-5710-030	KR-5DFO-SI	KR-1700-5FO

Piston Size	High Temperature	Replaceable Rubber Piston	Rubber Kits	Rubber Bonded	Urethane Bonded
4"	KR-RT-400-10	KR-I40HK10	KR-I40HK	KR-RB-400-10	KR-LL-400-10
4½"	KR-RT-440-10	KR-I44HK10	KR-I44HK	KR-RB-440-10	KR-LL-440-10
5"	KR-RT-500-10	KR-I50HB10	KR-I50HB	KR-RB-500-10	KR-LL-500-10
5½"	KR-RT-540-10	KR-I54HB10	KR-I54HB	KR-RB-540-10	KR-LL-540-10
6"	KR-RT-600-10	KR-I60HB10	KR-I60HB	KR-RB-600-10	KR-LL-600-10
6½"	KR-RT-640-10	KR-I64HL10	KR-I64HL	KR-RB-640-10	KR-LL-640-10

* ¼ Size are available upon request

RODS					
	PISTON ROD	SUB ROD	EXTENSION ROD	ROD CLAMP	PISTON ROD NUT
PART NO.	KR-0147	N/A	KR-16-0142	KR-24-0146	KR-7403224

EMSCO F-500

6¾ x 7½

F-500

Liners & Liner Packing		
SIZES	LINER	LINER PACKING
4"	KR-0146-40	KRG-281
4½"	KR-0146-44	KRG-281
5"	KR-0146-50	KRG-281
5½"	KR-0146-54	KRG-281
6"	KR-0146-60	KRG-281
6¼"	KR-0146-62	KRG-281
6½"	KR-0146-64	KRG-281
6¾"	KR-0146-66	KRG-281

Gaskets	
Valve Cover Gasket	Cylinder Head Gasket
KRG-733	KRG-281

SERIES	VALVE	SEAT	SPRING	URETHANE INSERT	PULLER HEAD
4 WEB	KR-U5B-05	KR-5DD-B1	KR-5710-111	KR-UDD-5B	KR-1700-5
FULL OPEN	KR-5DFO-V1	KR-5DFO-S1	KR-5710-030	KR-5DFO-SI	KR-1700-5FO

Piston Size	High Temperature	Replaceable Rubber Piston	Rubber Kits	Rubber Bonded	Urethane Bonded
4"	KR-RT-400-10	KR-I40HK10	KR-I40HK	KR-RB-400-10	KR-LL-400-10
4½"	KR-RT-440-10	KR-I44HK10	KR-I44HK	KR-RB-440-10	KR-LL-440-10
5"	KR-RT-500-10	KR-I50HB10	KR-I50HB	KR-RB-500-10	KR-LL-500-10
5½"	KR-RT-540-10	KR-I54HB10	KR-I54HB	KR-RB-540-10	KR-LL-540-10
6"	KR-RT-600-10	KR-I60HB10	KR-I60HB	KR-RB-600-10	KR-LL-600-10
6½"	KR-RT-640-10	KR-I64HL10	KR-I64HL	KR-RB-640-10	KR-LL-640-10

* ¼ Size are available upon request

RODS					
	PISTON ROD	SUB ROD	EXTENSION ROD	ROD CLAMP	PISTON ROD NUT
PART NO.	KR-0146	N/A	KR-16-0146	KR-24-0146	KR-7403224

EMSCO F-650

6¾ x 8

F-650

Liners & Liner Packing		
SIZES	LINER	LINER PACKING
4"	KR-0146-40	KRG-281
4½"	KR-0146-44	KRG-281
5"	KR-0146-50	KRG-281
5½"	KR-0146-54	KRG-281
6"	KR-0146-60	KRG-281
6¼"	KR-0146-62	KRG-281
6½"	KR-0146-64	KRG-281
6¾"	KR-0146-66	KRG-281

Gaskets	
Valve Cover Gasket	Cylinder Head Gasket
KRG-733	KRG-281

SERIES	VALVE	SEAT	SPRING	URETHANE	PULLER HEAD
4 WEB	KR-U5B-05	KR-5DD-B1	KR-5710-111	KR-UDD-5B	KR-1700-5
FULL OPEN	KR-5DFO-V1	KR-5DFO-S1	KR-5710-030	KR-5DFO-SI	KR-1700-5FO

Piston Size	High Temperature	Replaceable Rubber Piston	Rubber Kits	Rubber Bonded	Urethane Bonded
4"	KR-RT-400	KR-I40HK14/15	KR-I40HK	KR-RB-400	KR-LL-400
4½"	KR-RT-440	KR-I44HK14/15	KR-I44HK	KR-RB-440	KR-LL-440
5"	KR-RT-500	KR-I50HB14/15	KR-I50HB	KR-RB-500	KR-LL-500
5½"	KR-RT-540	KR-I54HB14/15	KR-I54HB	KR-RB-540	KR-LL-540
6"	KR-RT-600	KR-I60HB14/15	KR-I60HB	KR-RB-600	KR-LL-600
6½"	KR-RT-640	KR-I64HL14/15	KR-I64HL	KR-RB-640	KR-LL-640

* ¼ Size are available upon request

RODS					
	PISTON ROD	SUB ROD	EXTENSION ROD	ROD CLAMP	PISTON ROD NUT
PART NO.	KR-0151	N/A	KR-16-0141	KR-24-0147	KR-7403364

EMSCO F-800

F-800

6¾ x 9

Liners & Liner Packing		
SIZES	LINER	LINER PACKING
4"	KR-0148-40	KRG-282
4½"	KR-0148-44	KRG-282
5"	KR-0148-50	KRG-282
5½"	KR-0148-54	KRG-282
6"	KR-0148-60	KRG-282
6¼"	KR-0148-62	KRG-282
6½"	KR-0148-64	KRG-282
6¾"	KR-0148-66	KRG-282

Gaskets	
Valve Cover Gasket	Cylinder Head Gasket
KRG-740	KRG-282

SERIES	VALVE	SEAT	SPRING	URETHANE	PULLER HEAD
4 WEB	KR-U5B-EH	KR-6ADD-B6	KR-5710-111	KR-UDD-6AB	KR-1700-6
4 WEB HIGH TEMP	KR-U5B-EHHT	KR-6ADD-B6	KR-5710-111	KR-UDD-6ABHT	KR-1700-6
FULL OPEN	KR-6FO-V1	KR-6FO-S1	KR-5710-115	KR-6FO-SI	KR-1700-6FO
G2	KR-1560995	KR-1561380	KR-1560701	KR-1560587	KR-1700-6G2
ROUGHNECK	KR-RN6-V1	KR-RN6-S6	KR-5710-110L	KR-RN6-I	KR-1700-6FO

Piston Size	High Temperature	Replaceable Rubber Piston	Rubber Kits	Rubber Bonded	Urethane Bonded
4"	KR-RT-400	KR-I40HK14/15	KR-I40HK	KR-RB-400	KR-LL-400
4½"	KR-RT-440	KR-I44HK14/15	KR-I44HK	KR-RB-440	KR-LL-440
5"	KR-RT-500	KR-I50HB14/15	KR-I50HB	KR-RB-500	KR-LL-500
5½"	KR-RT-540	KR-I54HB14/15	KR-I54HB	KR-RB-540	KR-LL-540
6"	KR-RT-600	KR-I60HB14/15	KR-I60HB	KR-RB-600	KR-LL-600
6½"	KR-RT-640	KR-I64HL14/15	KR-I64HL	KR-RB-640	KR-LL-640

* ¼ Size are available upon request

RODS					
	PISTON ROD	SUB ROD	EXTENSION ROD	ROD CLAMP	PISTON ROD NUT
PART NO.	KR-0150	N/A	KR-16-0150	KR-24-0150	KR-7403364

EMSCO F-1000

6¾ x 10

F-1000

Liners & Liner Packing		
SIZES	LINER	LINER PACKING
4"	KR-0148-40	KRG-282
4½"	KR-0148-44	KRG-282
5"	KR-0148-50	KRG-282
5½"	KR-0148-54	KRG-282
6"	KR-0148-60	KRG-282
6¼"	KR-0148-62	KRG-282
6½"	KR-0148-64	KRG-282
6¾"	KR-0148-66	KRG-282

Gaskets	
Valve Cover Gasket	Cylinder Head Gasket
KRG-740	KRG-282

SERIES	VALVE	SEAT	SPRING	URETHANE	PULLER HEAD
4 WEB	KR-U5B-EH	KR-6ADD-B6	KR-5710-111	KR-UDD-6AB	KR-1700-6
4 WEB HIGH TEMP	KR-U5B-EHHT	KR-6ADD-B6	KR-5710-111	KR-UDD-	KR-1700-6
FULL OPEN	KR-6FO-V1	KR-6FO-S1	KR-5710-115	KR-6FO-SI	KR-1700-6FO
G2	KR-1560995	KR-1561380	KR-1560701	KR-1560587	KR-1700-6G2
ROUGHNECK	KR-RN6-V1	KR-RN6-S6	KR-5710-110L	KR-RN6-I	KR-1700-6FO

Piston Size	High Temperature	Replaceable Rubber Piston	Rubber Kits	Rubber Bonded	Urethane Bonded
4"	KR-RT-400	KR-I40HK14/15	KR-I40HK	KR-RB-400	KR-LL-400
4½"	KR-RT-440	KR-I44HK14/15	KR-I44HK	KR-RB-440	KR-LL-440
5"	KR-RT-500	KR-I50HB14/15	KR-I50HB	KR-RB-500	KR-LL-500
5½"	KR-RT-540	KR-I54HB14/15	KR-I54HB	KR-RB-540	KR-LL-540
6"	KR-RT-600	KR-I60HB14/15	KR-I60HB	KR-RB-600	KR-LL-600
6½"	KR-RT-640	KR-I64HL14/15	KR-I64HL	KR-RB-640	KR-LL-640

* ¼ Size are available upon request

RODS					
	PISTON ROD	SUB ROD	EXTENSION ROD	ROD CLAMP	PISTON ROD NUT
PART NO.	KR-0148	N/A	KR-16-0148	KR-24-0148	KR-7403364

EMSCO FB-1300

7½ x 12

FB-1300

Liners & Liner Packing		
SIZES	LINER	LINER PACKING
4"	KR-2145-40	KRG-800
4½"	KR-2145-44	KRG-800
5"	KR-2145-50	KRG-800
5½"	KR-2145-54	KRG-800
6"	KR-2145-60	KRG-800
6¼"	KR-2145-62	KRG-800
6½"	KR-2145-64	KRG-800
6¾"	KR-2145-66	KRG-800
7"	KR-2145-70	KRG-800
7½"	KR-2145-74	KRG-800

Gaskets	
Valve Cover Gasket	Cylinder Head Gasket
KRG-741	KRG-801

SERIES	VALVE	SEAT	SPRING	URETHANE INSERT	PULLER HEAD
4 WEB	KR-U5C-EEF	KR-7DD-B1	KR-5710-115	KR-UDD-7B	KR-1700-7
4 WEB HIGH TEMP	KR-U5C-EEFHT	KR-7DD-B1	KR-5710-115	KR-UDD-7BHT	KR-1700-7
FULL OPEN	KR-7FO-V1	KR-7FO-S1	KR-5710-115L	KR-7FO-SI	KR-1700-7FO
G2	KR-1560985	KR-1561370	KR-1560702	KR-1560557	KR-1700-7G2
3 WEB	KR-202PZL482A	KR-202PZL039	KR-5710-115	KR-201PZL106	KR-1700-7R
ROUGHNECK	KR-RN7-V1	KR-RN7-S1	KR-5710-115L	KR-RN7-I	KR-1700-7FO

Piston Size	High Temperature	Replaceable Rubber Piston	Rubber Kits	Rubber Bonded	Urethane Bonded
4"	KR-RT-400	KR-I40HK14/15	KR-I40HK	KR-RB-400	KR-LL-400
4½"	KR-RT-440	KR-I44HK14/15	KR-I44HK	KR-RB-440	KR-LL-440
5"	KR-RT-500	KR-I50HB14/15	KR-I50HB	KR-RB-500	KR-LL-500
5½"	KR-RT-540	KR-I54HB14/15	KR-I54HB	KR-RB-540	KR-LL-540
6"	KR-RT-600	KR-I60HB14/15	KR-I60HB	KR-RB-600	KR-LL-600
6½"	KR-RT-640	KR-I64HL14/15	KR-I64HL	KR-RB-640	KR-LL-640
7"	KR-RT-700	KR-I70HL14/15	KR-I70HL	KR-RB-700	KR-LL-700
7½"	N/A	KR-I74HL14/15	KR-I74HL	N/A	N/A

* ¼ Size are available upon request

RODS					
	PISTON ROD	SUB ROD	EXTENSION ROD	ROD CLAMP	PISTON ROD NUT
PART NO.	KR-2145	N/A	KR-16-0145	KR-24-0145	KR-7403364

EMSCO FB-1600

7½ x 12

FB-1600

Liners & Liner Packing		
SIZES	LINER	LINER PACKING
4"	KR-2145-40	KRG-800
4½"	KR-2145-44	KRG-800
5"	KR-2145-50	KRG-800
5½"	KR-2145-54	KRG-800
6"	KR-2145-60	KRG-800
6¼"	KR-2145-62	KRG-800
6½"	KR-2145-64	KRG-800
6¾"	KR-2145-66	KRG-800
7"	KR-2145-70	KRG-800
7½"	KR-2145-74	KRG-800

Gaskets	
Valve Cover Gasket	Cylinder Head Gasket
KRG-741	KRG-801

SERIES	VALVE	SEAT	SPRING	URETHANE	PULLER HEAD
4 WEB	KR-U5C-EEF	KR-7DD-B1	KR-5710-115	KR-UDD-7B	KR-1700-7
4 WEB HIGH TEMP	KR-U5C-EEFHT	KR-7DD-B1	KR-5710-115	KR-UDD-7BHT	KR-1700-7
FULL OPEN	KR-7FO-V1	KR-7FO-S1	KR-5710-115L	KR-7FO-SI	KR-1700-7FO
G2	KR-1560985	KR-1561370	KR-1560702	KR-1560557	KR-1700-7G2
3 WEB	KR-202PZL482A	KR-202PZL039	KR-5710-115	KR-201PZL106	KR-1700-7R
ROUGHNECK	KR-RN7-V1	KR-RN7-S1	KR-5710-115L	KR-RN7-I	KR-1700-7FO

Piston Size	High Temperature	Replaceable Rubber Piston	Rubber Kits	Rubber Bonded	Urethane Bonded
4"	KR-RT-400	KR-I40HK14/15	KR-I40HK	KR-RB-400	KR-LL-400
4½"	KR-RT-440	KR-I44HK14/15	KR-I44HK	KR-RB-440	KR-LL-440
5"	KR-RT-500	KR-I50HB14/15	KR-I50HB	KR-RB-500	KR-LL-500
5½"	KR-RT-540	KR-I54HB14/15	KR-I54HB	KR-RB-540	KR-LL-540
6"	KR-RT-600	KR-I60HB14/15	KR-I60HB	KR-RB-600	KR-LL-600
6½"	KR-RT-640	KR-I64HL14/15	KR-I64HL	KR-RB-640	KR-LL-640
7"	KR-RT-700	KR-I70HL14/15	KR-I70HL	KR-RB-700	KR-LL-700
7½"	N/A	KR-I74HL14/15	KR-I74HL	N/A	N/A

* ¼ Size are available upon request

RODS					
	PISTON ROD	SUB ROD	EXTENSION ROD	ROD CLAMP	PISTON ROD NUT
PART NO.	KR-2145	N/A	KR-16-0145	KR-24-0145	KR-7403364

OPI 700HDL

7 x 8

700HDL

Liners & Liner Packing		
SIZES	LINER	LINER PACKING
4"	KR-0481-40	KRG-753
4½"	KR-0481-44	KRG-754
5"	KR-0481-50	KRG-742
5½"	KR-0481-54	KRG-743
6"	KR-0481-60	KRG-745
6½"	KR-0481-64	KRG-746
7"	KR-0481-70	KRG-756

Gaskets	
Valve Cover Gasket	Cylinder Head Gasket
KRG-745	KRG-745

SERIES	VALVE	SEAT	SPRING	URETHANE INSERT	PULLER HEAD
4 WEB	KR-U5B-EH	KR-6ADD-B6	KR-5710-115	KR-UDD-6AB	KR-1700-6
4 WEB HIGH TEMP	KR-U5B-EHHT	KR-6ADD-B6	KR-5710-115	KR-UDD-6ABHT	KR-1700-6
FULL OPEN	KR-6FO-V1	KR-6FO-S1	KR-5710-115	KR-6FO-SI	KR-1700-6FO
G2	KR-1560995	KR-1561380	KR-1560701	KR-1560587	KR-1700-6G2
ROUGHNECK	KR-RN6-V1	KR-RN6-S6	KR-5710-115	KR-RN6-I	KR-1700-6FO

Piston Size	High Temperature	Replaceable Rubber Piston	Rubber Kits	Rubber Bonded	Urethane Bonded
4½"	KR-RT-440	KR-I44HK14/15	KR-I44HK	KR-RB-440	KR-LL-440
5"	KR-RT-500	KR-I50HB14/15	KR-I50HB	KR-RB-500	KR-LL-500
5½"	KR-RT-540	KR-I54HB14/15	KR-I54HB	KR-RB-540	KR-LL-540
6"	KR-RT-600	KR-I60HB14/15	KR-I60HB	KR-RB-600	KR-LL-600
6½"	KR-RT-640	KR-I64HL14/15	KR-I64HL	KR-RB-640	KR-LL-640
7"	KR-RT-700	KR-I70HL14/15	KR-I70HL	KR-RB-700	KR-LL-700

* ¼ Size are available upon request

RODS						
	PISTON ROD	SUB ROD	EXTENSION ROD	EXTENSION ROD CLAMP	PISTON ROD CLAMP	PISTON ROD NUT
CLAMP TYPE	KR-0482	KR-0482-B	KR-16-0481	KR-24-0481	KR-24-0482	KR-7403364
THREAD TYPE	KR-0481	KR-0481-B	KR-16-0481	N/A	N/A	KR-7403364

GARDNER DENVER PAH (All Models), PJ8A 5 x 8 PAH (All Models), PJ8A

Liners & Liner Packing			
SIZES	LINER (Small OD)	LINER PACKING	LINER (Large OD)
3"	KR-0189-30	KRG-266	KR-0193-30
3½"	KR-0189-34	KRG-266	KR-0193-34
4"	KR-0189-40	KRG-266	KR-0193-40
4½"	KR-0189-44	KRG-266	KR-0193-44
5"		KRG-266	KR-0193-50

Gaskets	
Valve Cover Gasket	Cylinder Head Gasket
KRG-799	KRG-799

SERIES	VALVE	SEAT	SPRING	URETHANE INSERT	PULLER HEAD
FULL OPEN	KR-4DFO-V1	KR-4FFO-S5	KR-5710-033	KR-4FFO-SI	KR-1700-4FO
3 WEB	KR-PJ482A	KR-PJ451	KR-5710-078	KR-PJ452	KR-1700-4GD

Piston Size	High Temperature	Replaceable Rubber Piston	Rubber Kits	Rubber Bonded	Urethane Bonded
3"	N/A	KR-I30HA14	KR-I30HA	N/A	N/A
3½"	N/A	KR-I34HK14/15	KR-I34HK	N/A	N/A
4"	KR-RT-400	KR-I40HK14/15	KR-I40HK	KR-RB-400	KR-LL-400
4½"	KR-RT-440	KR-I44HK14/15	KR-I44HK	KR-RB-440	KR-LL-440
5"	KR-RT-500	KR-I50HB14/15	KR-I50HB	KR-RB-500	KR-LL-500

* ¼ Size are available upon request

RODS					
	PISTON ROD	SUB ROD	EXTENSION ROD	ROD CLAMP	PISTON ROD NUT
CLAMP TYPE	KR-0193	N/A	KR-16-0192	KR-24-0191	KR-7403364

GARDNER DENVER TEE, TGE TEE, TGE

4 x 5

Liners & Liner Packing		
SIZES	LINER	LINER PACKING
3"	KR-1190-30	KRG-174
3½"	KR-1190-34	KRG-174
4"	KR-1190-40	KRG-174

Gaskets	
Valve Cover Gasket	Cylinder Head Gasket
KR-25AL20	KR-25AL20

ABRASION RESISTANT	
VALVE ASSEMBLY	KR-209TEE482 (Includes Valve Body, Cage, Spring and Insert)
INSERT	KR-ARI-10
SPRING	KR-2116523
VALVE SEAT PULLER HEAD	KR-1700-16SN

Piston Size	High Temperature	Replaceable Rubber Piston	Rubber Kits	Rubber Bonded	Urethane Bonded
3"	N/A	KR-I30HA10	KR-I30HA	N/A	N/A
3½"	N/A	KR-I34HK10	KR-I34HK	N/A	N/A
4"	KR-RT-400-10	KR-I40HK10	KR-I40HK	KR-RB-400-10	KR-LL-400-10

* ¼ Size are available upon request

RODS					
	PISTON ROD	SUB ROD	EXTENSION ROD	ROD CLAMP	PISTON ROD NUT
PART NO.	KR-0204	N/A	KR-300TEE839	KR-201TAE092A	KR-7403224

GARDNER DENVER PZ-7

7 x 7

PZ-GA & GB

PZ-7

Liners & Liner Packing		
SIZES	LINER	LINER PACKING
4"	KR-1192-40	KRG-692
4½"	KR-1192-44	KRG-692
5"	KR-1192-50	KRG-692
5½"	KR-1192-54	KRG-692
6"	KR-1192-60	KRG-692
6¼"	KR-1192-62	KRG-692
6½"	KR-1192-64	KRG-692
6¾"	KR-1192-66	KRG-692
7"	KR-1192-70	KRG-692

Gaskets	
Valve Cover Gasket	Cylinder Head Gasket
KRG-749	KRG-749

SERIES	VALVE	SEAT	SPRING	URETHANE INSERT	PULLER HEAD
4 WEB	KR-U5C-EEF	KR-7DD-B1	KR-5710-110	KR-UDD-7B	KR-1700-7
4 WEB HIGH TEMP	KR-U5C-EEFHT	KR-7DD-B1	KR-5710-110	KR-UDD-7BHT	KR-1700-7
FULL OPEN	KR-7FO-V1	KR-7FO-S1	KR-5710-115L	KR-7FO-SI	KR-1700-7FO
G2	KR-1560985	KR-1561370	KR-1560702	KR-1560557	KR-1700-7G2
3 WEB	KR-202PZL482A	KR-202PZL039	KR-5710-110	KR-201PZL106	KR-1700-7R
ROUGHNECK	KR-RN7-V1	KR-RN7-S1	KR-5710-110L	KR-RN7-I	KR-1700-7FO

Piston Size	High Temperature	Replaceable Rubber Piston	Rubber Kits	Rubber Bonded	Urethane Bonded
4"	KR-RT-400	KR-I40HK14/15	KR-I40HK	KR-RB-400	KR-LL-400
4½"	KR-RT-440	KR-I44HK14/15	KR-I44HK	KR-RB-440	KR-LL-440
5"	KR-RT-500	KR-I50HB14/15	KR-I50HB	KR-RB-500	KR-LL-500
5½"	KR-RT-540	KR-I54HB14/15	KR-I54HB	KR-RB-540	KR-LL-540
6"	KR-RT-600	KR-I60HB14/15	KR-I60HB	KR-RB-600	KR-LL-600
6½"	KR-RT-640	KR-I64HL14/15	KR-I64HL	KR-RB-640	KR-LL-640
7"	KR-RT-700	KR-I70HL14/15	KR-I70HL	KR-RB-700	KR-LL-700

* ¼ Size are available upon request

RODS					
	PISTON ROD	SUB ROD	EXTENSION ROD	ROD CLAMP	PISTON ROD NUT
CLAMP TYPE	KR-0205	N/A	KR-16-0205	KR-24-0191	KR-7403364
THREAD TYPE	KR-0196	N/A	KR-16-0196	N/A	KR-7403364

GARDNER DENVER PZ-8

7 x 8

PZ-H-E, VE

PZ-8

Liners & Liner Packing		
SIZES	LINER	LINER PACKING
4"	KR-1191-40	KRG-692
4½"	KR-1191-44	KRG-692
5"	KR-1191-50	KRG-692
5½"	KR-1191-54	KRG-692
6"	KR-1191-60	KRG-692
6¼"	KR-1191-62	KRG-692
6½"	KR-1191-64	KRG-692
6¾"	KR-1191-66	KRG-692
7"	KR-1191-70	KRG-692

Gaskets	
Valve Cover Gasket	Cylinder Head Gasket
KRG-749	KRG-749

SERIES	VALVE	SEAT	SPRING	URETHANE INSERT	PULLER HEAD
4 WEB	KR-U5C-EEF	KR-7DD-B1	KR-5710-110	KR-UDD-7B	KR-1700-7
4 WEB HIGH TEMP	KR-U5C-EEFHT	KR-7DD-B1	KR-5710-110	KR-UDD-7BHT	KR-1700-7
FULL OPEN	KR-7FO-V1	KR-7FO-S1	KR-5710-115L	KR-7FO-SI	KR-1700-7FO
G2	KR-1560985	KR-1561370	KR-1560702	KR-1560557	KR-1700-7G2
3 WEB	KR-202PZL482A	KR-202PZL039	KR-5710-110	KR-201PZL106	KR-1700-7R
ROUGHNECK	KR-RN7-V1	KR-RN7-S1	KR-5710-110L	KR-RN7-I	KR-1700-7FO

Piston Size	High Temperature	Replaceable Rubber Piston	Rubber Kits	Rubber Bonded	Urethane Bonded
4"	KR-RT-400	KR-I40HK14/15	KR-I40HK	KR-RB-400	KR-LL-400
4½"	KR-RT-440	KR-I44HK14/15	KR-I44HK	KR-RB-440	KR-LL-440
5"	KR-RT-500	KR-I50HB14/15	KR-I50HB	KR-RB-500	KR-LL-500
5½"	KR-RT-540	KR-I54HB14/15	KR-I54HB	KR-RB-540	KR-LL-540
6"	KR-RT-600	KR-I60HB14/15	KR-I60HB	KR-RB-600	KR-LL-600
6½"	KR-RT-640	KR-I64HL14/15	KR-I64HL	KR-RB-640	KR-LL-640
7"	KR-RT-700	KR-I70HL14/15	KR-I70HL	KR-RB-700	KR-LL-700

* ¼ Size are available upon request

RODS					
	PISTON ROD	SUB ROD	EXTENSION ROD	ROD CLAMP	PISTON ROD NUT
CLAMP TYPE	KR-0191	N/A	KR-16-0192	KR-24-0191	KR-7403364
THREAD TYPE	KR-0202	N/A	KR-16-0196	N/A	KR-7403364

GARDNER DENVER PZ-9

7 x 9

PZ-GA & GB

PZ-9

Liners & Liner Packing		
SIZES	LINER	LINER PACKING
4"	KR-1191-40	KRG-692
4½"	KR-1191-44	KRG-692
5"	KR-1191-50	KRG-692
5½"	KR-1191-54	KRG-692
6"	KR-1191-60	KRG-692
6¼"	KR-1191-62	KRG-692
6½"	KR-1191-64	KRG-692
6¾"	KR-1191-66	KRG-692
7"	KR-1191-70	KRG-692

Gaskets	
Valve Cover Gasket	Cylinder Head Gasket
KRG-749	KRG-749

SERIES	VALVE	SEAT	SPRING	URETHANE INSERT	PULLER HEAD
4 WEB	KR-U5C-EEF	KR-7DD-B1	KR-5710-110	KR-UDD-7B	KR-1700-7
4 WEB HIGH TEMP	KR-U5C-EEFHT	KR-7DD-B1	KR-5710-110	KR-UDD-7BHT	KR-1700-7
FULL OPEN	KR-7FO-V1	KR-7FO-S1	KR-5710-115L	KR-7FO-SI	KR-1700-7FO
G2	KR-1560985	KR-1561370	KR-1560702	KR-1560557	KR-1700-7G2
3 WEB	KR-202PZL482A	KR-202PZL039	KR-5710-110	KR-201PZL106	KR-1700-7R
ROUGHNECK	KR-RN7-V1	KR-RN7-S1	KR-5710-110L	KR-RN7-I	KR-1700-7FO

Piston Size	High Temperature	Replaceable Rubber Piston	Rubber Kits	Rubber Bonded	Urethane Bonded
4"	KR-RT-400	KR-I40HK14/15	KR-I40HK	KR-RB-400	KR-LL-400
4½"	KR-RT-440	KR-I44HK14/15	KR-I44HK	KR-RB-440	KR-LL-440
5"	KR-RT-500	KR-I50HB14/15	KR-I50HB	KR-RB-500	KR-LL-500
5½"	KR-RT-540	KR-I54HB14/15	KR-I54HB	KR-RB-540	KR-LL-540
6"	KR-RT-600	KR-I60HB14/15	KR-I60HB	KR-RB-600	KR-LL-600
6½"	KR-RT-640	KR-I64HL14/15	KR-I64HL	KR-RB-640	KR-LL-640
7"	KR-RT-700	KR-I70HL14/15	KR-I70HL	KR-RB-700	KR-LL-700

* ¼ Size are available upon request

RODS					
	PISTON ROD	SUB ROD	EXTENSION ROD	ROD CLAMP	PISTON ROD NUT
CLAMP TYPE	KR-0191	N/A	KR-16-0191	KR-24-0191	KR-7403364
THREAD TYPE	KR-0202	N/A	KR-16-0201	N/A	KR-7403364

GARDNER DENVER PZ-10

7 x 10

PZL

PZ-10

Liners & Liner Packing		
SIZES	LINER	LINER PACKING
4"	KR-0197-40	KRG-692
4½"	KR-0197-44	KRG-692
5"	KR-0197-50	KRG-692
5½"	KR-0197-54	KRG-692
6"	KR-0197-60	KRG-692
6¼"	KR-0197-62	KRG-692
6½"	KR-0197-64	KRG-692
6¾"	KR-0197-66	KRG-692
7"	KR-0197-70	KRG-692

Gaskets	
Valve Cover Gasket	Cylinder Head Gasket
KRG-780	KRG-780

SERIES	VALVE	SEAT	SPRING	URETHANE INSERT	PULLER HEAD
4 WEB	KR-U5C-EEF	KR-7DD-B1	KR-5710-110	KR-UDD-7B	KR-1700-7
4 WEB HIGH TEMP	KR-U5C-EEFHT	KR-7DD-B1	KR-5710-110	KR-UDD-7BHT	KR-1700-7
FULL OPEN	KR-7FO-V1	KR-7FO-S1	KR-5710-115L	KR-7FO-SI	KR-1700-7FO
G2	KR-1560985	KR-1561370	KR-1560702	KR-1560557	KR-1700-7G2
3 WEB	KR-202PZL482A	KR-202PZL039	KR-5710-110	KR-201PZL106	KR-1700-7R
ROUGHNECK	KR-RN7-V1	KR-RN7-S1	KR-5710-110L	KR-RN7-I	KR-1700-7FO

Piston Size	High Temperature	Replaceable Rubber Piston	Rubber Kits	Rubber Bonded	Urethane Bonded
4"	KR-RT-400	KR-I40HK14/15	KR-I40HK	KR-RB-400	KR-LL-400
4½"	KR-RT-440	KR-I44HK14/15	KR-I44HK	KR-RB-440	KR-LL-440
5"	KR-RT-500	KR-I50HB14/15	KR-I50HB	KR-RB-500	KR-LL-500
5½"	KR-RT-540	KR-I54HB14/15	KR-I54HB	KR-RB-540	KR-LL-540
6"	KR-RT-600	KR-I60HB14/15	KR-I60HB	KR-RB-600	KR-LL-600
6½"	KR-RT-640	KR-I64HL14/15	KR-I64HL	KR-RB-640	KR-LL-640
7"	KR-RT-700	KR-I70HL14/15	KR-I70HL	KR-RB-700	KR-LL-700

* ¼ Size are available upon request

RODS					
	PISTON ROD	SUB ROD	EXTENSION ROD	ROD CLAMP	PISTON ROD NUT
CLAMP TYPE	KR-0200	N/A	KR-16-0200	KR-24-0200	KR-7403364
THREAD TYPE	KR-0201	N/A	KR-16-0201	N/A	KR-7403364

GARDNER DENVER PZ-11

7 x 11

PZL

PZ-11

Liners & Liner Packing		
SIZES	LINER	LINER PACKING
4"	KR-0197-40	KRG-692
4½"	KR-0197-44	KRG-692
5"	KR-0197-50	KRG-692
5½"	KR-0197-54	KRG-692
6"	KR-0197-60	KRG-692
6¼"	KR-0197-62	KRG-692
6½"	KR-0197-64	KRG-692
6¾"	KR-0197-66	KRG-692
7"	KR-0197-70	KRG-692

Gaskets	
Valve Cover Gasket	Cylinder Head Gasket
KRG-780	KRG-780

SERIES	VALVE	SEAT	SPRING	URETHANE INSERT	PULLER HEAD
4 WEB	KR-U5C-EEF	KR-7DD-B1	KR-5710-110	KR-UDD-7B	KR-1700-7
4 WEB HIGH TEMP	KR-U5C-EEFHT	KR-7DD-B1	KR-5710-110	KR-UDD-7BHT	KR-1700-7
FULL OPEN	KR-7FO-V1	KR-7FO-S1	KR-5710-115L	KR-7FO-SI	KR-1700-7FO
G2	KR-1560985	KR-1561370	KR-1560702	KR-1560557	KR-1700-7G2
3 WEB	KR-202PZL482A	KR-202PZL039	KR-5710-110	KR-201PZL106	KR-1700-7R
ROUGHNECK	KR-RN7-V1	KR-RN7-S1	KR-5710-110L	KR-RN7-I	KR-1700-7FO

Piston Size	High Temperature	Replaceable Rubber Piston	Rubber Kits	Rubber Bonded	Urethane Bonded
4"	KR-RT-400	KR-I40HK14/15	KR-I40HK	KR-RB-400	KR-LL-400
4½"	KR-RT-440	KR-I44HK14/15	KR-I44HK	KR-RB-440	KR-LL-440
5"	KR-RT-500	KR-I50HB14/15	KR-I50HB	KR-RB-500	KR-LL-500
5½"	KR-RT-540	KR-I54HB14/15	KR-I54HB	KR-RB-540	KR-LL-540
6"	KR-RT-600	KR-I60HB14/15	KR-I60HB	KR-RB-600	KR-LL-600
6½"	KR-RT-640	KR-I64HL14/15	KR-I64HL	KR-RB-640	KR-LL-640
7"	KR-RT-700	KR-I70HL14/15	KR-I70HL	KR-RB-700	KR-LL-700

* ¼ Size are available upon request

RODS					
	PISTON ROD	SUB ROD	EXTENSION ROD	ROD CLAMP	PISTON ROD NUT
CLAMP TYPE	KR-0200	N/A	KR-16-0200	KR-24-0200	KR-7403364
THREAD TYPE	KR-0201	N/A	KR-16-0201	N/A	KR-7403364

IDECO T-500

7 x 8

T-500

Liners & Liner Packing		
SIZES	LINER	LINER PACKING
4"	KR-0234-40	KRG-783
4½"	KR-0234-44	KRG-783
5"	KR-0234-50	KRG-783
5½"	KR-0234-54	KRG-783
6"	KR-0234-60	KRG-783
6¼"	KR-0234-62	KRG-783
6½"	KR-0234-64	KRG-783
6¾"	KR-0234-66	KRG-783
7"	KR-0234-70	KRG-783

Gaskets	
Valve Cover Gasket	Cylinder Head Gasket
KRG-783	KRG-783

SERIES	VALVE	SEAT	SPRING	URETHANE INSERT	PULLER HEAD
4 WEB	KR-U5B-EH	KR-6ADD-B6	KR-5710-115	KR-UDD-6AB	KR-1700-6
4 WEB HIGH TEMP	KR-U5B-EHHT	KR-6ADD-B6	KR-5710-115	KR-UDD-6ABHT	KR-1700-6
FULL OPEN	KR-6FO-V1	KR-6FO-S1	KR-5710-115L	KR-6FO-SI	KR-1700-6FO
G2	KR-1560995	KR-1561380	KR-1560701	KR-1560587	KR-1700-6G2
ROUGHNECK	KR-RN6-V1	KR-RN6-S6	KR-5710-115L	KR-RN6-I	KR-1700-6FO

Piston Size	High Temperature	Replaceable Rubber Piston	Rubber Kits	Rubber Bonded	Urethane Bonded
4"	KR-RT-400	KR-I40HK14/15	KR-I40HK	KR-RB-400	KR-LL-400
4½"	KR-RT-440	KR-I44HK14/15	KR-I44HK	KR-RB-440	KR-LL-440
5"	KR-RT-500	KR-I50HB14/15	KR-I50HB	KR-RB-500	KR-LL-500
5½"	KR-RT-540	KR-I54HB14/15	KR-I54HB	KR-RB-540	KR-LL-540
6"	KR-RT-600	KR-I60HB14/15	KR-I60HB	KR-RB-600	KR-LL-600
6½"	KR-RT-640	KR-I64HL14/15	KR-I64HL	KR-RB-640	KR-LL-640
7"	KR-RT-700	KR-I70HL14/15	KR-I70HL	KR-RB-700	KR-LL-700

* ¼ Size are available upon request

RODS					
	PISTON ROD	SUB ROD	EXTENSION ROD	ROD CLAMP	PISTON ROD NUT
PART NO.	KR-0237	N/A	KR-16-0237	KR-24-0237	KR-7403364

IDECO T-800

7 x 9

T-800

Liners & Liner Packing		
SIZES	LINER	LINER PACKING
4"	KR-0230-40	KRG-783
4½"	KR-0230-44	KRG-783
5"	KR-0230-50	KRG-783
5½"	KR-0230-54	KRG-783
6"	KR-0230-60	KRG-783
6¼"	KR-0230-62	KRG-783
6½"	KR-0230-64	KRG-783
6¾"	KR-0230-66	KRG-783
7"	KR-0230-70	KRG-783

Gaskets	
Valve Cover Gasket	Cylinder Head Gasket
KRG-783	KRG-783

SERIES	VALVE	SEAT	SPRING	URETHANE INSERT	PULLER HEAD
4 WEB	KR-U5B-EH	KR-6ADD-B6	KR-5710-115	KR-UDD-6AB	KR-1700-6
4 WEB HIGH TEMP	KR-U5B-EHHT	KR-6ADD-B6	KR-5710-115	KR-UDD-6ABHT	KR-1700-6
FULL OPEN	KR-6FO-V1	KR-6FO-S1	KR-5710-115L	KR-6FO-SI	KR-1700-6FO
G2	KR-1560995	KR-1561380	KR-1560701	KR-1560587	KR-1700-6G2
ROUGHNECK	KR-RN6-V1	KR-RN6-S6	KR-5710-115L	KR-RN6-I	KR-1700-6FO

Piston Size	High Temperature	Replaceable Rubber Piston	Rubber Kits	Rubber Bonded	Urethane Bonded
4"	KR-RT-400	KR-I40HK14/15	KR-I40HK	KR-RB-400	KR-LL-400
4½"	KR-RT-440	KR-I44HK14/15	KR-I44HK	KR-RB-440	KR-LL-440
5"	KR-RT-500	KR-I50HB14/15	KR-I50HB	KR-RB-500	KR-LL-500
5½"	KR-RT-540	KR-I54HB14/15	KR-I54HB	KR-RB-540	KR-LL-540
6"	KR-RT-600	KR-I60HB14/15	KR-I60HB	KR-RB-600	KR-LL-600
6½"	KR-RT-640	KR-I64HL14/15	KR-I64HL	KR-RB-640	KR-LL-640
7"	KR-RT-700	KR-I70HL14/15	KR-I70HL	KR-RB-700	KR-LL-700

* ¼ Size are available upon request

RODS					
	PISTON ROD	SUB ROD	EXTENSION ROD	ROD CLAMP	PISTON ROD NUT
PART NO.	KR-0230	N/A	KR-16-0230	KR-24-0230	KR-7403364

IDECO T-1000

7 x 10

T-1000

Liners & Liner Packing		
SIZES	LINER	LINER PACKING
4"	KR-0230-40	KRG-783
4½"	KR-0230-44	KRG-783
5"	KR-0230-50	KRG-783
5½"	KR-0230-54	KRG-783
6"	KR-0230-60	KRG-783
6¼"	KR-0230-62	KRG-783
6½"	KR-0230-64	KRG-783
6¾"	KR-0230-66	KRG-783
7"	KR-0230-70	KRG-783

Gaskets	
Valve Cover Gasket	Cylinder Head Gasket
KRG-783	KRG-783

SERIES	VALVE	SEAT	SPRING	URETHANE INSERT	PULLER HEAD
4 WEB	KR-U5B-EH	KR-6ADD-B6	KR-5710-115	KR-UDD-6AB	KR-1700-6
4 WEB HIGH TEMP	KR-U5B-EHHT	KR-6ADD-B6	KR-5710-115	KR-UDD-6ABHT	KR-1700-6
FULL OPEN	KR-6FO-V1	KR-6FO-S1	KR-5710-115L	KR-6FO-SI	KR-1700-6FO
G2	KR-1560995	KR-1561380	KR-1560701	KR-1560587	KR-1700-6G2
ROUGHNECK	KR-RN6-V1	KR-RN6-S6	KR-5710-115L	KR-RN6-I	KR-1700-6FO

Piston Size	High Temperature	Replaceable Rubber Piston	Rubber Kits	Rubber Bonded	Urethane Bonded
4"	KR-RT-400	KR-I40HK14/15	KR-I40HK	KR-RB-400	KR-LL-400
4½"	KR-RT-440	KR-I44HK14/15	KR-I44HK	KR-RB-440	KR-LL-440
5"	KR-RT-500	KR-I50HB14/15	KR-I50HB	KR-RB-500	KR-LL-500
5½"	KR-RT-540	KR-I54HB14/15	KR-I54HB	KR-RB-540	KR-LL-540
6"	KR-RT-600	KR-I60HB14/15	KR-I60HB	KR-RB-600	KR-LL-600
6½"	KR-RT-640	KR-I64HL14/15	KR-I64HL	KR-RB-640	KR-LL-640
7"	KR-RT-700	KR-I70HL14/15	KR-I70HL	KR-RB-700	KR-LL-700

* ¼ Size are available upon request

RODS					
	PISTON ROD	SUB ROD	EXTENSION ROD	ROD CLAMP	PISTON ROD NUT
PART NO.	KR-0230	N/A	KR-16-0231	KR-24-0230	KR-7403364

IDECO T-1300

7½ x 12

T-1300

Liners & Liner Packing		
SIZES	LINER	LINER PACKING
4"	KR-0233-40	KRG-782
4½"	KR-0233-44	KRG-782
5"	KR-0233-50	KRG-782
5½"	KR-0233-54	KRG-782
6"	KR-0233-60	KRG-782
6¼"	KR-0233-62	KRG-782
6½"	KR-0233-64	KRG-782
6¾"	KR-0233-66	KRG-782
7"	KR-0233-70	KRG-782
7½"	KR-0233-74	KRG-782

Gaskets	
Valve Cover Gasket	Cylinder Head Gasket
KRG-782	KRG-782

SERIES	VALVE	SEAT	SPRING	URETHANE INSERT	PULLER HEAD
4 WEB	KR-U5C-EEF	KR-7DD-B1	KR-5710-115	KR-UDD-7B	KR-1700-7
4 WEB HIGH TEMP	KR-U5C-EEFHT	KR-7DD-B1	KR-5710-115	KR-UDD-7BHT	KR-1700-7
FULL OPEN	KR-7FO-V1	KR-7FO-S1	KR-5710-115L	KR-7FO-SI	KR-1700-7FO
G2	KR-1560985	KR-1561370	KR-1560702	KR-1560557	KR-1700-7G2
3 WEB	KR-202PZL482A	KR-202PZL039	KR-5710-115	KR-201PZL106	KR-1700-7R
ROUGHNECK	KR-RN7-V1	KR-RN7-S1	KR-5710-115L	KR-RN7-I	KR-1700-7FO

Piston Size	High Temperature	Replaceable Rubber Piston	Rubber Kits	Rubber Bonded	Urethane Bonded
4"	KR-RT-400	KR-I40HK14/15	KR-I40HK	KR-RB-400	KR-LL-400
4½"	KR-RT-440	KR-I44HK14/15	KR-I44HK	KR-RB-440	KR-LL-440
5"	KR-RT-500	KR-I50HB14/15	KR-I50HB	KR-RB-500	KR-LL-500
5½"	KR-RT-540	KR-I54HB14/15	KR-I54HB	KR-RB-540	KR-LL-540
6"	KR-RT-600	KR-I60HB14/15	KR-I60HB	KR-RB-600	KR-LL-600
6½"	KR-RT-640	KR-I64HL14/15	KR-I64HL	KR-RB-640	KR-LL-640
7"	KR-RT-700	KR-I70HL14/15	KR-I70HL	KR-RB-700	KR-LL-700
7½"	N/A	KR-I74HL14/15	KR-I74HL	KR-RB-740	KR-LL-740

* ¼ Size are available upon request

RODS					
	PISTON ROD	SUB ROD	EXTENSION ROD	ROD CLAMP	PISTON ROD NUT
PART NO.	KR-0233	N/A	KR-16-0233	KR-24-0233	KR-7403364

IDECO T-1600

7½ x 12

T-1600

Liners & Liner Packing		
SIZES	LINER	LINER PACKING
4"	KR-0233-40	KRG-782
4½"	KR-0233-44	KRG-782
5"	KR-0233-50	KRG-782
5½"	KR-0233-54	KRG-782
6"	KR-0233-60	KRG-782
6¼"	KR-0233-62	KRG-782
6½"	KR-0233-64	KRG-782
6¾"	KR-0233-66	KRG-782
7"	KR-0233-70	KRG-782
7½"	KR-0233-74	KRG-782

Gaskets	
Valve Cover Gasket	Cylinder Head Gasket
KRG-782	KRG-782

SERIES	VALVES	SEAT	SPRING	URETHANE INSERT	PULLER HEAD
4 WEB	KR-U5C-EEF	KR-7DD-B1	KR-5710-115	KR-UDD-7B	KR-1700-7
4 WEB HIGH TEMP	KR-U5C-EEFHT	KR-7DD-B1	KR-5710-115	KR-UDD-7BHT	KR-1700-7
FULL OPEN	KR-7FO-V1	KR-7FO-S1	KR-5710-115L	KR-7FO-SI	KR-1700-7FO
G2	KR-1560985	KR-1561370	KR-1560702	KR-1560557	KR-1700-7G2
3 WEB	KR-202PZL482A	KR-202PZL039	KR-5710-115	KR-201PZL106	KR-1700-7R
ROUGHNECK	KR-RN7-V1	KR-RN7-S1	KR-5710-115L	KR-RN7-I	KR-1700-7FO

Piston Size	High Temperature	Replaceable Rubber Piston	Rubber Kits	Rubber Bonded	Urethane Bonded
4"	KR-RT-400	KR-I40HK14/15	KR-I40HK	KR-RB-400	KR-LL-400
4½"	KR-RT-440	KR-I44HK14/15	KR-I44HK	KR-RB-440	KR-LL-440
5"	KR-RT-500	KR-I50HB14/15	KR-I50HB	KR-RB-500	KR-LL-500
5½"	KR-RT-540	KR-I54HB14/15	KR-I54HB	KR-RB-540	KR-LL-540
6"	KR-RT-600	KR-I60HB14/15	KR-I60HB	KR-RB-600	KR-LL-600
6½"	KR-RT-640	KR-I64HL14/15	KR-I64HL	KR-RB-640	KR-LL-640
7"	KR-RT-700	KR-I70HL14/15	KR-I70HL	KR-RB-700	KR-LL-700
7½"	N/A	KR-I74HL14/15	KR-I74HL	KR-RB-740	KR-LL-740

* ¼ Size are available upon request

RODS					
	PISTON ROD	SUB ROD	EXTENSION ROD	ROD CLAMP	PISTON ROD NUT
PART NO.	KR-0233	N/A	KR-16-0233	KR-24-0233	KR-7403364

OILWELL A-560-PT

7 x 8

A-560-PT

Liners & Liner Packing		
SIZES	LINER	LINER PACKING
4"	KR-0287-40	KRG-753
4½"	KR-0287-44	KRG-754
5"	KR-0287-50	KRG-742
5½"	KR-0287-54	KRG-743
6"	KR-0287-60	KRG-745
6¼"	KR-0287-62	KRG-770
6½"	KR-0287-64	KRG-746
6¾"	KR-0287-66	KRG-755
7"	KR-0287-70	KRG-756

Gaskets	
Valve Cover Gasket	Cylinder Head Gasket
KRG-732	N/A

SERIES	VALVE	SEAT	SPRING	URETHANE INSERT	PULLER HEAD
4 WEB	KR-U5B-EH	KR-6ADD-B6	KR-5710-115	KR-UDD-6AB	KR-1700-6
4 WEB HIGH TEMP	KR-U5B-EHHT	KR-6ADD-B6	KR-5710-115	KR-UDD-6ABHT	KR-1700-6
FULL OPEN	KR-6FO-V1	KR-6FO-S1	KR-5710-115L	KR-6FO-SI	KR-1700-6FO
G2	KR-1560995	KR-1561380	KR-1560701	KR-1560587	KR-1700-6G2
ROUGHNECK	KR-RN6-V1	KR-RN6-S6	KR-5710-115L	KR-RN6-I	KR-1700-6FO

Piston Size	High Temperature	Replaceable Rubber Piston	Rubber Kits	Rubber Bonded	Urethane Bonded
4"	KR-RT-400	KR-I40HK14/15	KR-I40HK	KR-RB-400	KR-LL-400
4½"	KR-RT-440	KR-I44HK14/15	KR-I44HK	KR-RB-440	KR-LL-440
5"	KR-RT-500	KR-I50HB14/15	KR-I50HB	KR-RB-500	KR-LL-500
5½"	KR-RT-540	KR-I54HB14/15	KR-I54HB	KR-RB-540	KR-LL-540
6"	KR-RT-600	KR-I60HB14/15	KR-I60HB	KR-RB-600	KR-LL-600
6½"	KR-RT-640	KR-I64HL14/15	KR-I64HL	KR-RB-640	KR-LL-640
7"	KR-RT-700	KR-I70HL14/15	KR-I70HL	KR-RB-700	KR-LL-700

* ¼ Size are available upon request

RODS						
	PISTON ROD	SUB ROD	CONNECTING ROD	EXTENSION ROD	ROD CLAMP	PISTON ROD NUT
PART NO.	KR-0283-C	KR-0283-A	KR-0283-D	KR-16-0283	KR-24-0283	KR-7403364

OILWELL A-350/600-PT

7 x 8

A-350/600-PT

Liners & Liner Packing		
SIZES	LINER	LINER PACKING
4"	KR-0287-40	KRG-753
4½"	KR-0287-44	KRG-754
5"	KR-0287-50	KRG-742
5½"	KR-0287-54	KRG-743
6"	KR-0287-60	KRG-745
6¼"	KR-0287-62	KRG-770
6½"	KR-0287-64	KRG-746
6¾"	KR-0287-66	KRG-755
7"	KR-0287-70	KRG-756

Gaskets	
Valve Cover Gasket	Cylinder Head Gasket
KRG-732	N/A

SERIES	VALVE	SEAT	SPRING	URETHANE INSERT	PULLER HEAD
4 WEB	KR-U5B-EH	KR-6ADD-B6	KR-5710-111	KR-UDD-6AB	KR-1700-6
4 WEB HIGH TEMP	KR-U5B-EHHT	KR-6ADD-B6	KR-5710-111	KR-UDD-6ABHT	KR-1700-6
FULL OPEN	KR-6FO-V1	KR-6FO-S1	KR-5710-115	KR-6FO-SI	KR-1700-6FO
G2	KR-1560995	KR-1561380	KR-1560701	KR-1560587	KR-1700-6G2
ROUGHNECK	KR-RN6-V1	KR-RN6-S6	KR-5710-111	KR-RN6-I	KR-1700-6FO

Piston Size	High Temperature	Replaceable Rubber Piston	Rubber Kits	Rubber Bonded	Urethane Bonded
4"	KR-RT-400	KR-I40HK14/15	KR-I40HK	KR-RB-400	KR-LL-400
4½"	KR-RT-440	KR-I44HK14/15	KR-I44HK	KR-RB-440	KR-LL-440
5"	KR-RT-500	KR-I50HB14/15	KR-I50HB	KR-RB-500	KR-LL-500
5½"	KR-RT-540	KR-I54HB14/15	KR-I54HB	KR-RB-540	KR-LL-540
6"	KR-RT-600	KR-I60HB14/15	KR-I60HB	KR-RB-600	KR-LL-600
6½"	KR-RT-640	KR-I64HL14/15	KR-I64HL	KR-RB-640	KR-LL-640
7"	KR-RT-700	KR-I70HL14/15	KR-I70HL	KR-RB-700	KR-LL-700

* ¼ Size are available upon request

RODS						
	PISTON ROD	SUB ROD	CONNECTING ROD	EXTENSION ROD	ROD CLAMP	PISTON ROD NUT
PART NO.	KR-0283-C	KR-0283-B	KR-0283-D	KR-16-0282	KR-24-0284	KR-7403364

OILWELL A-850-PT

7½ x 9

A-850-PT

Liners & Liner Packing		
SIZES	LINER	LINER PACKING
4"	KR-0289-40	KRG-753
4½"	KR-0289-44	KRG-754
5"	KR-0289-50	KRG-742
5½"	KR-0289-54	KRG-743
6"	KR-0289-60	KRG-745
6¼"	KR-0289-62	KRG-770
6½"	KR-0289-64	KRG-746
6¾"	KR-0289-66	KRG-755
7"	KR-0289-70	KRG-756
7¼"	KR-0289-72	KRG-757
7½"	KR-0289-74	KRG-758

Gaskets	
Valve Cover Gasket	Cylinder Head Gasket
KRG-760	N/A

SERIES	VALVE	SEAT	SPRING	URETHANE INSERT	PULLER HEAD
4 WEB	KR-U5C-EEF	KR-7DD-B1	KR-5710-110	KR-UDD-7B	KR-1700-7
4 WEB HIGH TEMP	KR-U5C-EEFHT	KR-7DD-B1	KR-5710-110	KR-UDD-7BHT	KR-1700-7
FULL OPEN	KR-7FO-V1	KR-7FO-S1	KR-5710-115L	KR-7FO-SI	KR-1700-7FO
G2	KR-1560985	KR-1561370	KR-1560702	KR-1560557	KR-1700-7G2
3 WEB	KR-202PZL482A	KR-202PZL039	KR-5710-110	KR-201PZL106	KR-1700-7R
ROUGHNECK	KR-RN7-V1	KR-RN7-S1	KR-5710-110L	KR-RN7-I	KR-1700-7FO

Piston Size	High Temperature	Replaceable Rubber Piston	Rubber Kits	Rubber Bonded	Urethane Bonded
4"	KR-RT-400	KR-I40HK14/15	KR-I40HK	KR-RB-400	KR-LL-400
4½"	KR-RT-440	KR-I44HK14/15	KR-I44HK	KR-RB-440	KR-LL-440
5"	KR-RT-500	KR-I50HB14/15	KR-I50HB	KR-RB-500	KR-LL-500
5½"	KR-RT-540	KR-I54HB14/15	KR-I54HB	KR-RB-540	KR-LL-540
6"	KR-RT-600	KR-I60HB14/15	KR-I60HB	KR-RB-600	KR-LL-600
6½"	KR-RT-640	KR-I64HL14/15	KR-I64HL	KR-RB-640	KR-LL-640
7"	KR-RT-700	KR-I70HL14/15	KR-I70HL	KR-RB-700	KR-LL-700
7½"	N/A	KR-I74HL14/15	KR-I74HL	N/A	N/A

* ¼ Size are available upon request

RODS						
	PISTON ROD	SUB ROD	CONNECTING ROD	EXTENSION ROD	ROD CLAMP	PISTON ROD NUT
PART NO.	KR-0283-C	KR-0283-A	KR-0283-D	KR-16-0284	KR-24-0284	KR-7403364

Shandong Kerui Petroleum Equipment Co., Ltd., Address: No. 233 Nan'er Road, Dongying, Shandong, China
Tel: +86-546-8179179 Fax: +86-546-8179685 Email:service.parts@keruigroup.com

OILWELL A-1100-PT

7½ x 10

A-1100-PT

Liners & Liner Packing		
SIZES	LINER	LINER PACKING
4"	KR-0289-40	KRG-753
4½"	KR-0289-44	KRG-754
5"	KR-0289-50	KRG-742
5½"	KR-0289-54	KRG-743
6"	KR-0289-60	KRG-745
6¼"	KR-0289-62	KRG-770
6½"	KR-0289-64	KRG-746
6¾"	KR-0289-66	KRG-755
7"	KR-0289-70	KRG-756
7¼"	KR-0289-72	KRG-757
7½"	KR-0289-74	KRG-758

Gaskets	
Valve Cover Gasket	Cylinder Head Gasket
KRG-760	N/A

SERIES	VALVE	SEAT	SPRING	URETHANE INSERT	PULLER HEAD
4 WEB	KR-U5C-EEF	KR-7DD-B1	KR-5710-110	KR-UDD-7B	KR-1700-7
4 WEB HIGH TEMP	KR-U5C-EEFHT	KR-7DD-B1	KR-5710-110	KR-UDD-7BHT	KR-1700-7
FULL OPEN	KR-7FO-V1	KR-7FO-S1	KR-5710-115L	KR-7FO-SI	KR-1700-7FO
G2	KR-1560985	KR-1561370	KR-1560702	KR-1560557	KR-1700-7G2
3 WEB	KR-202PZL482A	KR-202PZL039	KR-5710-110	KR-201PZL106	KR-1700-7R
ROUGHNECK	KR-RN7-V1	KR-RN7-S1	KR-5710-110L	KR-RN7-I	KR-1700-7FO

Piston Size	High Temperature	Replaceable Rubber Piston	Rubber Kits	Rubber Bonded	Urethane Bonded
4"	KR-RT-400	KR-I40HK14/15	KR-I40HK	KR-RB-400	KR-LL-400
4½"	KR-RT-440	KR-I44HK14/15	KR-I44HK	KR-RB-440	KR-LL-440
5"	KR-RT-500	KR-I50HB14/15	KR-I50HB	KR-RB-500	KR-LL-500
5½"	KR-RT-540	KR-I54HB14/15	KR-I54HB	KR-RB-540	KR-LL-540
6"	KR-RT-600	KR-I60HB14/15	KR-I60HB	KR-RB-600	KR-LL-600
6½"	KR-RT-640	KR-I64HL14/15	KR-I64HL	KR-RB-640	KR-LL-640
7"	KR-RT-700	KR-I70HL14/15	KR-I70HL	KR-RB-700	KR-LL-700
7½"	N/A	KR-I74HL14/15	KR-I74HL	N/A	N/A

* ¼ Size are available upon request

RODS						
	PISTON ROD	SUB ROD	CONNECTING ROD	EXTENSION ROD	ROD CLAMP	PISTON ROD NUT
PART NO.	KR-0283-C	KR-0283-A	KR-0283-D	KR-16-0284	KR-24-0284	KR-7403364

Shandong Kerui Petroleum Equipment Co., Ltd., Address: No. 233 Nan'er Road, Dongying, Shandong, China
Tel: +86-546-8179179 Fax: +86-546-8179685 Email:service.parts@keruigroup.com

OILWELL A-1400-PT

7½ x 10

A-1400-PT

Liners & Liner Packing		
SIZES	LINER	LINER PACKING
4"	KR-0284-40	KRG-753
4½"	KR-0284-44	KRG-754
5"	KR-0284-50	KRG-742
5½"	KR-0284-54	KRG-743
6"	KR-0284-60	KRG-745
6¼"	KR-0284-62	KRG-770
6½"	KR-0284-64	KRG-746
6¾"	KR-0284-66	KRG-755
7"	KR-0284-70	KRG-756
7¼"	KR-0284-72	KRG-757
7½"	KR-0284-74	KRG-758

Gaskets	
Valve Cover Gasket	Cylinder Head Gasket
KRG-760	N/A

SERIES	VALVE	SEAT	SPRING	URETHANE INSERT	PULLER HEAD
4 WEB	KR-U5C-EEF	KR-7DD-B1	KR-5710-110	KR-UDD-7B	KR-1700-7
4 WEB HIGH TEMP	KR-U5C-EEFHT	KR-7DD-B1	KR-5710-110	KR-UDD-7BHT	KR-1700-7
FULL OPEN	KR-7FO-V1	KR-7FO-S1	KR-5710-115L	KR-7FO-SI	KR-1700-7FO
G2	KR-1560985	KR-1561370	KR-1560702	KR-1560557	KR-1700-7G2
3 WEB	KR-202PZL482A	KR-202PZL039	KR-5710-110	KR-201PZL106	KR-1700-7R
ROUGHNECK	KR-RN7-V1	KR-RN7-S1	KR-5710-110L	KR-RN7-I	KR-1700-7FO

Piston Size	High Temperature	Replaceable Rubber Piston	Rubber Kits	Rubber Bonded	Urethane Bonded
4"	KR-RT-400	KR-I40HK14/15	KR-I40HK	KR-RB-400	KR-LL-400
4½"	KR-RT-440	KR-I44HK14/15	KR-I44HK	KR-RB-440	KR-LL-440
5"	KR-RT-500	KR-I50HB14/15	KR-I50HB	KR-RB-500	KR-LL-500
5½"	KR-RT-540	KR-I54HB14/15	KR-I54HB	KR-RB-540	KR-LL-540
6"	KR-RT-600	KR-I60HB14/15	KR-I60HB	KR-RB-600	KR-LL-600
6½"	KR-RT-640	KR-I64HL14/15	KR-I64HL	KR-RB-640	KR-LL-640
7"	KR-RT-700	KR-I70HL14/15	KR-I70HL	KR-RB-700	KR-LL-700
7½"	N/A	KR-I74HL14/15	KR-I74HL	N/A	N/A

* ¼ Size are available upon request

RODS						
	PISTON ROD	SUB ROD	CONNECTIN G ROD	EXTENSION ROD	ROD CLAMP	PISTON ROD NUT
PART NO.	KR-0283-C	KR-0283-A	KR-0283-D	KR-16-0284	KR-24-0284	KR-7403364

OILWELL A-1700-PT

7½ x 12

A-1700-PT

Liners & Liner Packing		
SIZES	LINER	LINER PACKING
4"	KR-0284-40	KRG-753
4½"	KR-0284-44	KRG-754
5"	KR-0284-50	KRG-742
5½"	KR-0284-54	KRG-743
6"	KR-0284-60	KRG-745
6¼"	KR-0284-62	KRG-770
6½"	KR-0284-64	KRG-746
6¾"	KR-0284-66	KRG-755
7"	KR-0284-70	KRG-756
7¼"	KR-0284-72	KRG-757
7½"	KR-0284-74	KRG-758

Gaskets	
Valve Cover Gasket	Cylinder Head Gasket
KRG-760	N/A

SERIES	VALVE	SEAT	SPRING	URETHANE INSERT	PULLER HEAD
4 WEB	KR-U5C-EEF	KR-7DD-B1	KR-5710-110	KR-UDD-7B	KR-1700-7
4 WEB HIGH TEMP	KR-U5C-EEFHT	KR-7DD-B1	KR-5710-110	KR-UDD-7BHT	KR-1700-7
FULL OPEN	KR-7FO-V1	KR-7FO-S1	KR-5710-115L	KR-7FO-SI	KR-1700-7FO
G2	KR-1560985	KR-1561370	KR-1560702	KR-1560557	KR-1700-7G2
3 WEB	KR-202PZL482A	KR-202PZL039	KR-5710-110	KR-201PZL106	KR-1700-7R
ROUGHNECK	KR-RN7-V1	KR-RN7-S1	KR-5710-110L	KR-RN7-I	KR-1700-7FO

Piston Size	High Temperature	Replaceable Rubber Piston	Rubber Kits	Rubber Bonded	Urethane Bonded
4"	KR-RT-400	KR-I40HK14/15	KR-I40HK	KR-RB-400	KR-LL-400
4½"	KR-RT-440	KR-I44HK14/15	KR-I44HK	KR-RB-440	KR-LL-440
5"	KR-RT-500	KR-I50HB14/15	KR-I50HB	KR-RB-500	KR-LL-500
5½"	KR-RT-540	KR-I54HB14/15	KR-I54HB	KR-RB-540	KR-LL-540
6"	KR-RT-600	KR-I60HB14/15	KR-I60HB	KR-RB-600	KR-LL-600
6½"	KR-RT-640	KR-I64HL14/15	KR-I64HL	KR-RB-640	KR-LL-640
7"	KR-RT-700	KR-I70HL14/15	KR-I70HL	KR-RB-700	KR-LL-700
7½"	N/A	KR-I74HL14/15	KR-I74HL	N/A	N/A

* ¼ Size are available upon request

RODS						
	PISTON ROD	SUB ROD	CONNECTING ROD	EXTENSION ROD	ROD CLAMP	PISTON ROD NUT
PART NO.	KR-0283-C	KR-0283-A	KR-0283-D	KR-16-0284	KR-24-0284	KR-7403364

Shandong Kerui Petroleum Equipment Co., Ltd., Address: No. 233 Nan'er Road, Dongying, Shandong, China
Tel: +86-546-8179179 Fax: +86-546-8179685 Email:service.parts@keruigroup.com

NATIONAL JWS165/340

4½ × 5

JWS165/340

Liners & Liner Packing		
SIZES	LINER	LINER PACKING
3"	KR-0240-30	KR-1712064
3½"	KR-0240-34	KR-1712064
4"	KR-0240-40	KR-1712064
4½"	KR-0240-44	KR-1712064

Gaskets	
JWS165	KR-2410031-429
JWS340	KR-1718265

SERIES	G2	G2
	SUCTION	DISCHARGE
VALVE (Urethane Insert)	KR-1561575	KR-1561575
VALVE (Rubber Insert)	N/A	N/A
VALVE SEAT	KR-1561571	KR-1561572
VALVE SPRING	KR-1712211	KR-1712206
VALVE INSERT	KR-1561577	KR-1561577
VALVE INSERT (Red Thunder)	N/A	N/A
VALVE INSERT (Rubber)	N/A	N/A
VALVE SEAT PULLER HEAD	N/A	N/A

Piston Size	High Temperature	Replaceable Rubber Piston	Rubber Kits	Rubber Bonded	Urethane Bonded
3"	N/A	KR-I30HA10	KR-I30HA	N/A	N/A
3½"	N/A	KR-I34HK10	KR-I34HK	N/A	N/A
4"	KR-RT-400-10	KR-I40HK10	KR-I40HB	KR-RB-400-10	KR-LL-400-10
4½"	KR-RT-440-10	KR-I44HK10	KR-I44HK	KR-RB-440-10	KR-LL-440-10

* ¼ Size are available upon request

RODS					
	PISTON ROD	SUB ROD	EXTENSION ROD	ROD CLAMP	PISTON ROD NUT
ONE PIECE	KR-0238		KR-16-0238	KR-24-0238	KR-7403224

NATIONAL JWS400

5½ x 7

JWS400

Liners & Liner Packing		
SIZES	LINER	LINER PACKING
4"	KR-0237-40	KRG-272
4½"	KR-0237-44	KRG-274
5"	KR-0237-50	KRG-276
5½"	KR-0237-54	KRG-278

Gaskets	
Valve Cover Gasket	Cylinder Head Gasket
KR-1715146	N/A

SERIES	G2	G2
	SUCTION	DISCHARGE
VALVE (Urethane Insert)	KR-1561575	KR-1561575
VALVE (Rubber Insert)	N/A	N/A
VALVE SEAT	KR-1561561	KR-1561569
VALVE SPRING	KR-1560698	KR-1717296
VALVE INSERT	KR-1561577	KR-1561577
VALVE INSERT (Red Thunder)	N/A	N/A
VALVE INSERT (Rubber)	N/A	N/A
VALVE SEAT PULLER HEAD	N/A	N/A

Piston Size	High Temperature	Replaceable Rubber Piston	Rubber Kits	Rubber Bonded	Urethane Bonded
4"	KR-RT-400-10	KR-I40HK10	KR-I40HK	KR-RB-400-10	KR-LL-400-10
4½"	KR-RT-440-10	KR-I44HK10	KR-I44HK	KR-RB-440-10	KR-LL-440-10
5"	KR-RT-500-10	KR-I50HB10	KR-I50HB	KR-RB-500-10	KR-LL-500-10
5½"	KR-RT-540-10	KR-I54HB10	KR-I54HB	KR-RB-540-10	KR-LL-540-10

* ¼ Size are available upon request

RODS					
	PISTON ROD	SUB ROD	EXTENSION ROD	ROD CLAMP	PISTON ROD NUT
PART NO.	KR-2239-A	KR-2239-B	KR-16-2239	KR-24-2239	KR-7403224

NATIONAL 7-P-50

6¼ × 7¾

7-P-50

Liners & Liner Packing		
SIZES	LINER	LINER PACKING
4"	KR-0257-40	KRG-272
4½"	KR-0257-44	KRG-274
5"	KR-0257-50	KRG-276
5½"	KR-0257-54	KRG-278
6"	KR-0257-60	KRG-280
6¼"	KR-0257-62	KRG-268

Gaskets	
Valve Cover Gasket	Cylinder Head Gasket
KR-61-0253	N/A

SERIES	VALVE	SEAT	SPRING	URETHANE INSERT	PULLER HEAD
4 WEB	KR-U5B-05	KR-5DD-B3	KR-5710-111	KR-UDD-5B	KR-1700-5
FULL OPEN	KR-5DFO-V1	KR-5DFO-S3	KR-5710-030	KR-5DFO-SI	KR-1700-5FO

Piston Size	High Temperature	Replaceable Rubber Piston	Rubber Kits	Rubber Bonded	Urethane Bonded
4"	KR-RT-400	KR-I40HK14/15	KR-I40HK	KR-RB-400	KR-LL-400
4½"	KR-RT-440	KR-I44HK14/15	KR-I44HK	KR-RB-440	KR-LL-440
5"	KR-RT-500	KR-I50HB14/15	KR-I50HB	KR-RB-500	KR-LL-500
5½"	KR-RT-540	KR-I54HB14/15	KR-I54HB	KR-RB-540	KR-LL-540
6"	KR-RT-600	KR-I60HB14/15	KR-I60HB	KR-RB-600	KR-LL-600

* ¼ Size are available upon request

RODS					
	PISTON ROD	SUB ROD	EXTENSION ROD	ROD CLAMP	PISTON ROD NUT
PART NO.	KR-0257-A	KR-0257-B	KR-16-0257	KR-24-0257	KR-7403364

NATIONAL 8-P-80

6½ × 8½

8-P-80

Liners & Liner Packing		
SIZES	LINER	LINER PACKING
4"	KR-0256-40	KRG-272
4½"	KR-0256-44	KRG-274
5"	KR-0256-50	KRG-276
5½"	KR-0256-54	KRG-278
6"	KR-0256-60	KRG-280
6¼"	KR-0256-62	KRG-268
6½"	KR-0256-64	KRG-268

Gaskets	
Valve Cover Gasket	Cylinder Head Gasket
KR-61-0255	N/A

SERIES	VALVE	SEAT	SPRING	URETHANE INSERT	PULLER HEAD
4 WEB	KR-U5B-EH	KR-6ADD-B4	KR-5710-115	KR-UDD-6AB	KR-1700-6
4 WEB HIGH TEMP	KR-U5B-EHHT	KR-6ADD-B4	KR-5710-115	KR-UDD-6ABHT	KR-1700-6
FULL OPEN	KR-6FO-V1	KR-6FO-S4	KR-5710-115	KR-6FO-SI	KR-1700-6FO
G2	KR-1560995	KR-1561450	KR-1560701	KR-1560587	KR-1700-6G2
ROUGHNECK	KR-RN6-V1	KR-RN6-S4	KR-5710-115L	KR-RN6-I	KR-1700-6FO

Piston Size	High Temperature	Replaceable Rubber Piston	Rubber Kits	Rubber Bonded	Urethane Bonded
4"	KR-RT-400	KR-I40HK14/15	KR-I40HK	KR-RB-400	KR-LL-400
4½"	KR-RT-440	KR-I44HK14/15	KR-I44HK	KR-RB-440	KR-LL-440
5"	KR-RT-500	KR-I50HB14/15	KR-I50HB	KR-RB-500	KR-LL-500
5½"	KR-RT-540	KR-I54HB14/15	KR-I54HB	KR-RB-540	KR-LL-540
6"	KR-RT-600	KR-I60HB14/15	KR-I60HB	KR-RB-600	KR-LL-600
6½"	KR-RT-640	KR-I64HB14/15	KR-I64HB	KR-RB-640	KR-LL-640

* ¼ Size are available upon request

RODS					
	PISTON ROD	SUB ROD	EXTENSION ROD	ROD CLAMP	PISTON ROD NUT
PART NO.	KR-0259-A	KR-0259-B	KR-16-0259	KR-24-0259	KR-7403364

NATIONAL 9-P-100

6¾ × 9¼

9-P-100

Liners & Liner Packing		
SIZES	LINER	LINER PACKING
4"	N/A	N/A
4½"	KR-0255-44	KRG-274
5"	KR-0255-50	KRG-265
5½"	KR-0255-54	KRG-263
6"	KR-0255-60	KRG-261
6¼"	KR-0255-62	KRG-283
6½"	KR-0255-64	KRG-768
6¾"	KR-0255-66	KRG-768

Gaskets	
Valve Cover Gasket	Cylinder Head Gasket
KR-61-0255	N/A

SERIES	VALVE	SEAT	SPRING	URETHANE INSERT	PULLER HEAD
4 WEB	KR-U5B-EH	KR-6ADD-B4	KR-5710-115	KR-UDD-6AB	KR-1700-6
4 WEB HIGH TEMP	KR-U5B-EHHT	KR-6ADD-B4	KR-5710-115	KR-UDD-6ABHT	KR-1700-6
FULL OPEN	KR-6FO-V1	KR-6FO-S4	KR-5710-115	KR-6FO-SI	KR-1700-6FO
G2	KR-1560995	KR-1561450	KR-1560701	KR-1560587	KR-1700-6G2
ROUGHNECK	KR-RN6-V1	KR-RN6-S4	KR-5710-115L	KR-RN6-I	KR-1700-6FO

Piston Size	High Temperature	Replaceable Rubber Piston	Rubber Kits	Rubber Bonded	Urethane Bonded
4"	KR-RT-400	KR-I40HK14/15	KR-I40HK	KR-RB-400	KR-LL-400
4½"	KR-RT-440	KR-I44HK14/15	KR-I44HK	KR-RB-440	KR-LL-440
5"	KR-RT-500	KR-I50HB14/15	KR-I50HB	KR-RB-500	KR-LL-500
5½"	KR-RT-540	KR-I54HB14/15	KR-I54HB	KR-RB-540	KR-LL-540
6"	KR-RT-600	KR-I60HB14/15	KR-I60HB	KR-RB-600	KR-LL-600
6½"	KR-RT-640	KR-I64HL14/15	KR-I64HL	KR-RB-640	KR-LL-640

* ¼ Size are available upon request

RODS					
	PISTON ROD	SUB ROD	EXTENSION ROD	ROD CLAMP	PISTON ROD NUT
PART NO.	KR-0260-A	KR-0260-B	KR-16-0260	KR-24-0260	KR-7403364

NATIONAL 10-P-130

6¾ x 10

10-P-130

Liners & Liner Packing		
SIZES	LINER	LINER PACKING
4"	N/A	N/A
4½"	KR-0255-44	KRG-274
5"	KR-0255-50	KRG-265
5½"	KR-0255-54	KRG-263
6"	KR-0255-60	KRG-261
6¼"	KR-0255-62	KRG-283
6½"	KR-0255-64	KRG-768
6¾"	KR-0255-66	KRG-768

Gaskets	
Valve Cover Gasket	Cylinder Head Gasket
KR-61-0255	N/A

SERIES	VALVE	SEAT	SPRING	URETHANE INSERT	PULLER HEAD
4 WEB	KR-U5B-EH	KR-6ADD-B4	KR-5710-115	KR-UDD-6AB	KR-1700-6
4 WEB HIGH TEMP	KR-U5B-EHHT	KR-6ADD-B4	KR-5710-115	KR-UDD-6ABHT	KR-1700-6
FULL OPEN	KR-6FO-V1	KR-6FO-S4	KR-5710-115	KR-6FO-SI	KR-1700-6FO
G2	KR-1560995	KR-1561450	KR-1560701	KR-1560587	KR-1700-6G2
ROUGHNECK	KR-RN6-V1	KR-RN6-S4	KR-5710-115L	KR-RN6-I	KR-1700-6FO

Piston Size	High Temperature	Replaceable Rubber Piston	Rubber Kits	Rubber Bonded	Urethane Bonded
4"	KR-RT-400	KR-I40HK14/15	KR-I40HK	KR-RB-400	KR-LL-400
4½"	KR-RT-440	KR-I44HK14/15	KR-I44HK	KR-RB-440	KR-LL-440
5"	KR-RT-500	KR-I50HB14/15	KR-I50HB	KR-RB-500	KR-LL-500
5½"	KR-RT-540	KR-I54HB14/15	KR-I54HB	KR-RB-540	KR-LL-540
6"	KR-RT-600	KR-I60HB14/15	KR-I60HB	KR-RB-600	KR-LL-600
6½"	KR-RT-640	KR-I64HL14/15	KR-I64HL	KR-RB-640	KR-LL-640

* ¼ Size are available upon request

RODS					
	PISTON ROD	SUB ROD	EXTENSION ROD	ROD CLAMP	PISTON ROD NUT
PART NUMBER	KR-0256-A	KR-0256-B	KR-16-0256	KR-24-0256	KR-7403364

NATIONAL 12-P-160

7½ x 12

12-P-160

Liners & Liner Packing		
SIZES	LINER	LINER PACKING
4"	KR-0259-40	KRG-265
4½"	KR-0259-44	KRG-265
5"	KR-0259-50	KRG-264
5½"	KR-0259-54	KRG-263
6"	KR-0259-60	KRG-261
6¼"	KR-0259-62	KRG-283
6½"	KR-0259-64	KRG-284
6¾"	KR-0259-66	KRG-287
7"	KR-0259-70	KRG-285
7¼"	KR-0259-72	KRG-286
7½"	KR-0259-74	N/A

Gaskets	
Valve Cover Gasket	Cylinder Head Gasket
KRG-771	N/A

SERIES	VALVE	SEAT	SPRING	URETHANE INSERT	PULLER HEAD
4 WEB	KR-U5C-EEF	KR-7DD-B12	KR-5710-115	KR-UDD-7B	KR-1700-7
4 WEB HIGH TEMP	KR-U5C-EEFHT	KR-7DD-B12	KR-5710-115	KR-UDD-7BHT	KR-1700-7
FULL OPEN	KR-7FO-V1	KR-7FO-S4	KR-5710-115L	KR-7FO-SI	KR-1700-7FO
G2	KR-1560985	KR-1561440	KR-1560702	KR-1560557	KR-1700-7G2
ROUGHNECK	KR-RN7-V1	KR-RN7-S12	KR-5710-115L	KR-RN7-I	KR-1700-7FO

Piston Size	High Temperature	Replaceable Rubber Piston	Rubber Kits	Rubber Bonded	Urethane Bonded
4"	KR-RT-400	KR-I40HK14/15	KR-I40HK	KR-RB-400	KR-LL-400
4½"	KR-RT-440	KR-I44HK14/15	KR-I44HK	KR-RB-440	KR-LL-440
5"	KR-RT-500	KR-I50HB14/15	KR-I50HB	KR-RB-500	KR-LL-500
5½"	KR-RT-540	KR-I54HB14/15	KR-I54HB	KR-RB-540	KR-LL-540
6"	KR-RT-600	KR-I60HB14/15	KR-I60HB	KR-RB-600	KR-LL-600
6½"	KR-RT-640	KR-I64HL14/15	KR-I64HL	KR-RB-640	KR-LL-640
7"	KR-RT-700	KR-I70HL14/15	KR-I70HL	KR-RB-700	KR-LL-700
7½"	N/A	KR-I74HL14/15	KR-I70HL	KR-RB-740	KR-LL-740

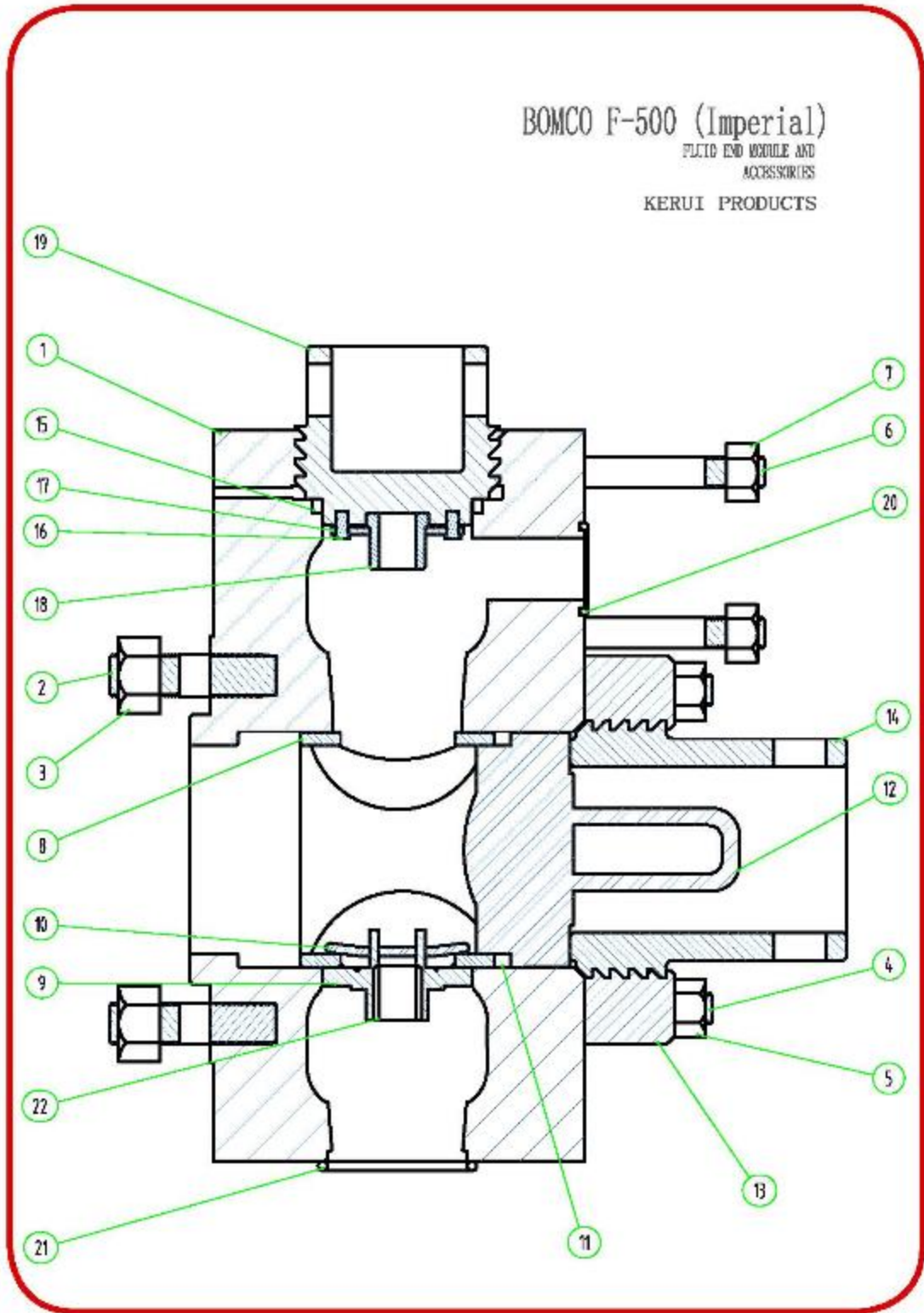
* ¼ Size are available upon request

RODS					
	PISTON ROD	SUB ROD	EXTENSION ROD	ROD CLAMP	PISTON ROD NUT
PART NO.	KR-0258-A	KR-0258-B	KR-16-0258	KR-24-0258	KR-7403364

FLUID END MODULE AND ACCESSORIES

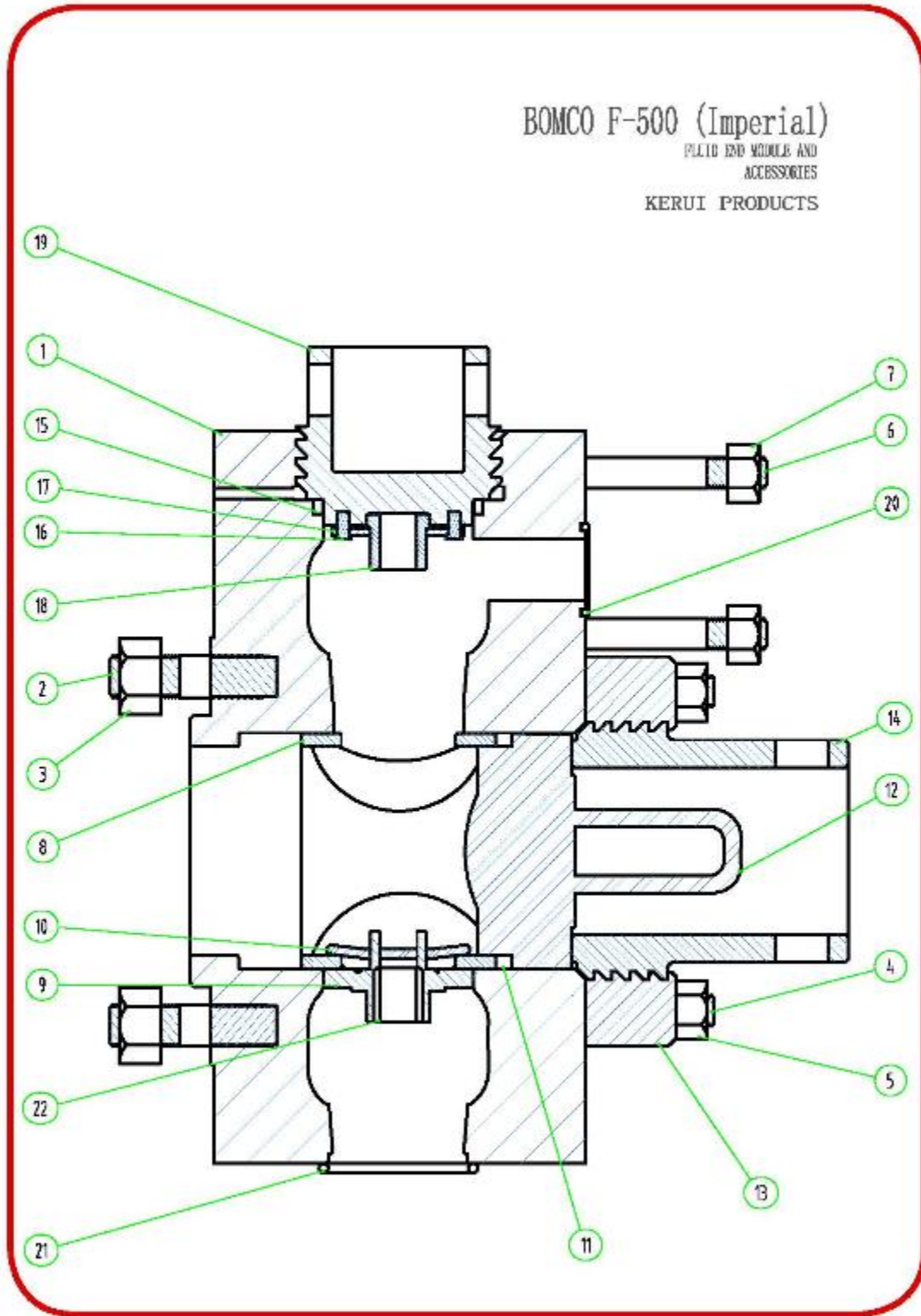
BOMCO F500 (Imperial)

ITEM	PART NUMBER	BOMCO PART NUMBER	DESCRIPTION	QTY.PER PUMP
	KR-6318-0151-00	AH050102050100	Fluid Module, Studed (Included Items 2-7)	(3)
1	KR-6318-0151-02	AH050102050102	Fluid Module, Only	3
2	KR-7507-2207-00	T500-6001	Stud – Frame	18
3	KR-7601-0630-17	T501-2001	Nut – Frame	18
4	KR-7507-3402-00	T500-5003	Stud – Threaded Ring	36
5	KR-7601-0630-26	T501-2003	Nut – Threaded Ring	36
6	KR-7507-3407-00	T500-5004	Stud – Discharge Manifold	12
7	KR-7601-0630-26	T501-2003	Nut – Discharge Manifold	12
8	KR-6318-0148-00	AH0501010506	Liner Cage	3
9	KR-6318-0177-00	AH050101051800	Lower Valve Guide with Bushing	3
10	KR-6318-0153-00	AH0501010517	Locking Clip	3
11	KR-7602-2200-34	AH0501010504	Gasket – Liner	6
12	KR-6318-0158-00	AH050101050500	Cylinder Head Plug	3
13	KR-6318-0130-00	AH0501010502	Threaded Ring	3
14	KR-6318-0157-00	AH0501010503	Cylinder Head	3
15	KR-6310-0084-00	AH0501010508	Gasket – Valve Pot Cover	3
16	KR-7501-0051-00	AH0501020509	Retainer Bolt	12
17	KR-6310-0133-00	AH0501010511	Retainer Plate	3
18	KR-6397-0602-00	AH0501010510	Upper Valve Guide	3
19	KR-6310-0016-01	AH0501020502	Valve Pot Cover	3
20	KR-7602-1600-23	530301010750053007	Gasket – Discharge Manifold	3
21	KR-7602-1600-33	530301011500070007	Gasket – Suction Manifold	3
22	KR-6318-0155-00	AH050101051802	Lower Valve Guide Bushing	3



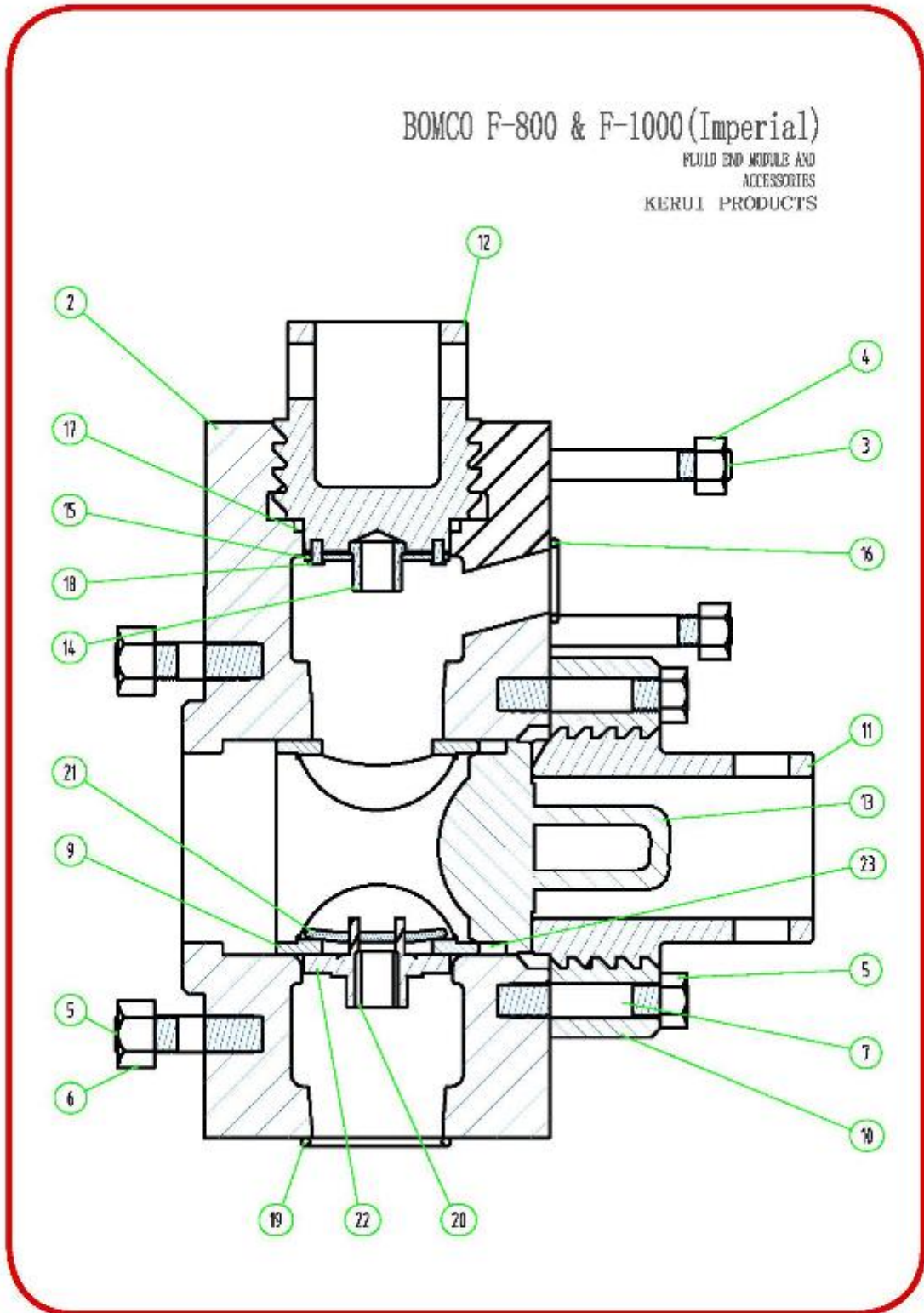
BOMCO F500 (Metric)

ITEM	PART NUMBER	BOMCO PART NUMBER	DESCRIPTION	QTY. PER PUMP
	KR-6318-0151-00	AH050102050100	Fluid Module, Studded (Included Items 2-7)	(3)
1	KR-6318-0151-02	AH050102050102	Fluid Module, Only	3
2	KR-7507-2207-00	T500-6001	Stud – Frame	18
3	KR-7601-0630-17	T501-2001	Nut – Frame	18
4	KR-7507-3402-00	T500-5003	Stud – Threaded Ring	36
5	KR-7601-0630-26	T501-2003	Nut – Threaded Ring	36
6	KR-7507-3407-00	T500-5004	Stud – Discharge Manifold	12
7	KR-7601-0630-26	T501-2003	Nut – Discharge Manifold	12
8	KR-6318-0148-00	AH0501010506	Liner Cage	3
9	KR-6318-0177-00	AH050101051800	Lower Valve Guide with Bushing	3
10	KR-6318-0153-00	AH0501010517	Locking Clip	3
11	KR-7602-2200-34	AH0501010504	Gasket – Liner	6
12	KR-6318-0158-00	AH050101050500	Cylinder Head Plug	3
13	KR-6318-0130-00	AH0501010502	Threaded Ring	3
14	KR-6318-0157-00	AH0501010503	Cylinder Head	3
15	KR-6310-0084-00	AH0501010508	Gasket – Valve Pot Cover	3
16	KR-7501-0051-00	AH0501020509	Retainer Bolt	12
17	KR-6310-0133-00	AH0501010511	Retainer Plate	3
18	KR-6397-0602-00	AH0501010510	Upper Valve Guide	3
19	KR-6310-0016-01	AH0501020502	Valve Pot Cover	3
20	KR-7602-1600-23	530301010750053007	Gasket – Discharge Manifold	3
21	KR-7602-1600-33	530301011500070007	Gasket – Suction Manifold	3
22	KR-6318-0155-00	AH050101051802	Lower Valve Guide Bushing	3



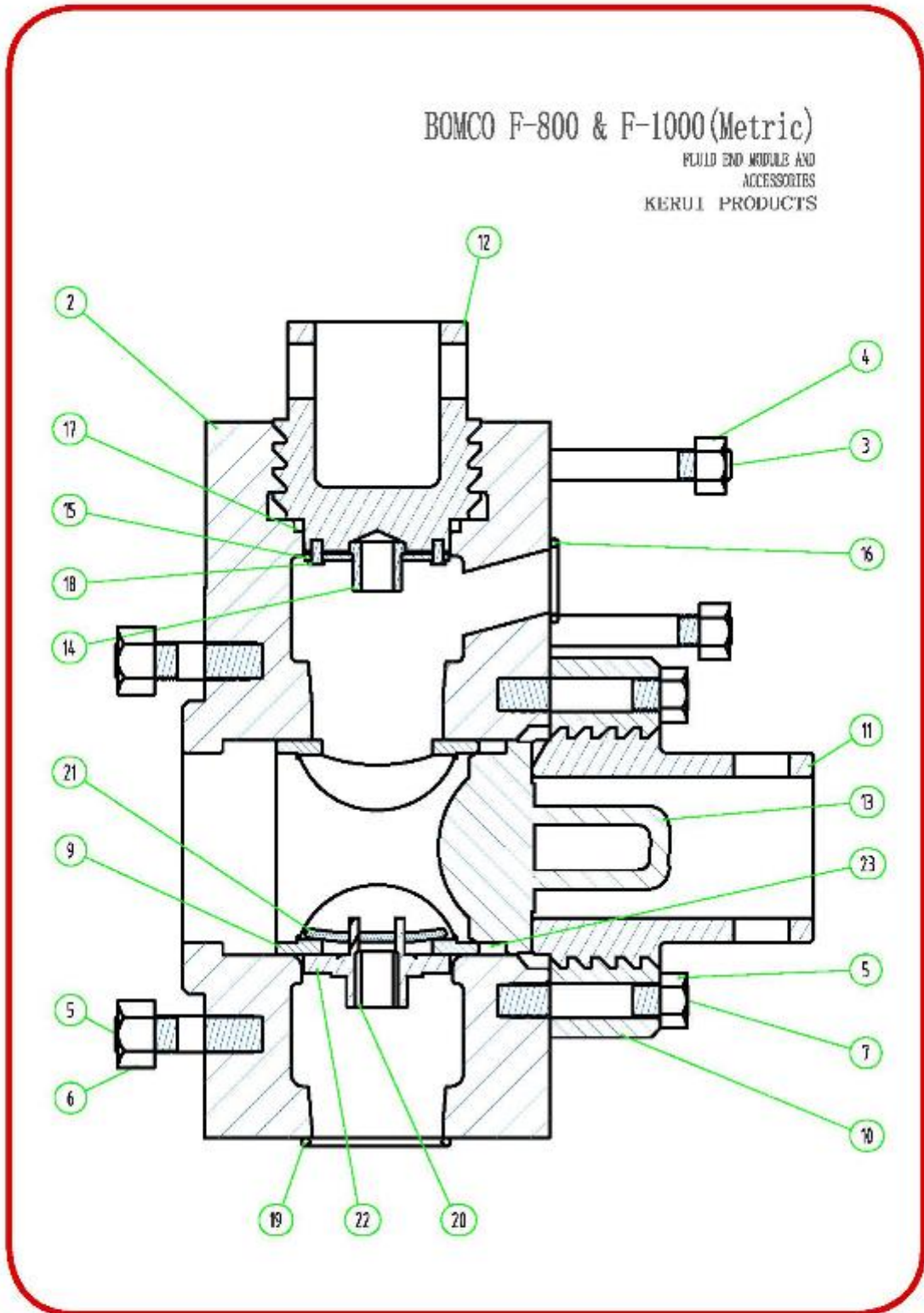
BOMCO F800 & F1000 (Imperial)

ITEM	PART NUMBER	BOMCO PART NUMBER	DESCRIPTION	QTY. PER PUMP
1	KR-6999-0086-02	AH080102050100	Fluid Module, Studded (Included Items 2-8)	(3)
2	KR-6999-0087-02	AH080102050102	Fluid Module, Only	3
3	KR-7507-2108-00	T500-6004	Stud – Discharge Manifold	12
4	KR-7601-0630-24	T501-2001	Nut – Discharge Manifold	12
5	KR-7507-2205-00	T500-6005	Stud–Frame	18
6	KR-7601-0630-17	T501-2002	Nut – Frame	18
7	KR-7507-2150-00	T500-6006	Stud – Threaded Ring	30
8	KR-7601-0630-26	T501-2004	Nut – Threaded Ring	30
9	KR-6319-0026-00	AH1001010506	Liner Cage	3
10	KR-6999-0089-00	AH1001010502	Threaded Ring	3
11	KR-6319-0090-00	AH1001010503	Cylinder Head	3
12	KR-6319-0027-00	AH0801020502	Valve Pot Cover	3
13	KR-6319-0031-00	AH100101050500	Cylinder Head Plug	3
14	KR-6397-0575-00	AH1001010510	Upper Valve Guide	3
15	KR-6397-0603-00	AH1001010512	Retainer Plate	3
16	KR-7602-1610-46	530301010975035507	O-Ring, Discharge Manifold	3
17	KR-6319-0076-00	AH1001010508	Seal – Valve Pot Cover	3
18	KR-7501-0051-00	AH0501020509	Retainer Bolt	3
19	KR-7602-1600-61	530301011850070007	O-Ring ,Suction Manifold	3
20	KR-6316-0096-00	AH100101052200	Lower Valve Guide Bushing	3
21	KR-6319-0089-00	AH1001010521	Locking Clip	3
22	KR-6319-0087-00	AH100101052200	Lower Valve Guide with Bushing	3
23	KR-7602-2200-32	AH1001010504	Seal – Liner, Cylinder Head Plug	3



BOMCO F800 & F1000 (Metric)

ITEM	PART NUMBER	BOMCO PART NUMBER	DESCRIPTION	QTY. PER PUMP
1	KR-6999-0086-02M	AH100101050100	Fluid Module, Studded (Included Items 2-8)	(3)
2	KR-6999-0087-02M	AH100101050102	Fluid Module, Only	3
3	KR-7507-2108-00M	T503-4005	Stud – Discharge Manifold	12
4	KR-7601-0630-24M	T507-2009	Nut – Discharge Manifold	12
5	KR-7507-2205-00M	T503-4004	Stud – Frame	18
6	KR-7601-0630-17M	T507-2011	Nut – Frame	18
7	KR-7507-2150-00M	T503-4003	Stud – Threaded Ring	30
8	KR-7601-0630-26M	T507-2002	Nut – Threaded Ring	30
9	KR-6319-0026-00	AH1001010506	Liner Cage	3
10	KR-6999-0089-00	AH1001010502	Threaded Ring	3
11	KR-6319-0090-00	AH1001010503	Cylinder Head	3
12	KR-6319-0027-00M	AH1001010509	Valve Pot Cover	3
13	KR-6319-0031-00	AH100101050500	Cylinder Head Plug	3
14	KR-6397-0575-00	AH1001010510	Upper Valve Guide	3
15	KR-6397-0603-00	AH1001010512	Retainer Plate	3
16	KR-7602-1610-46	530301010975035507	O–Ring, Discharge Manifold	3
17	KR-6319-0076-00	AH1001010508	Seal – Valve Pot Cover	3
18	KR-7501-0051-00M	AH1001010513	Retainer Bolt	3
19	KR-7602-1600-61	530301011850070007	O-Ring ,Suction Manifold	3
20	KR-6316-0096-00	AH100101052200	Lower Valve Guide Bushing	3
21	KR-6319-0089-00	AH1001010521	Locking Clip	3
22	KR-6319-0087-00	AH100101052200	Lower Valve Guide with Bushing	3
23	KR-7602-2200-32	AH1001010504	Seal – Liner, Cylinder Head Plug	3

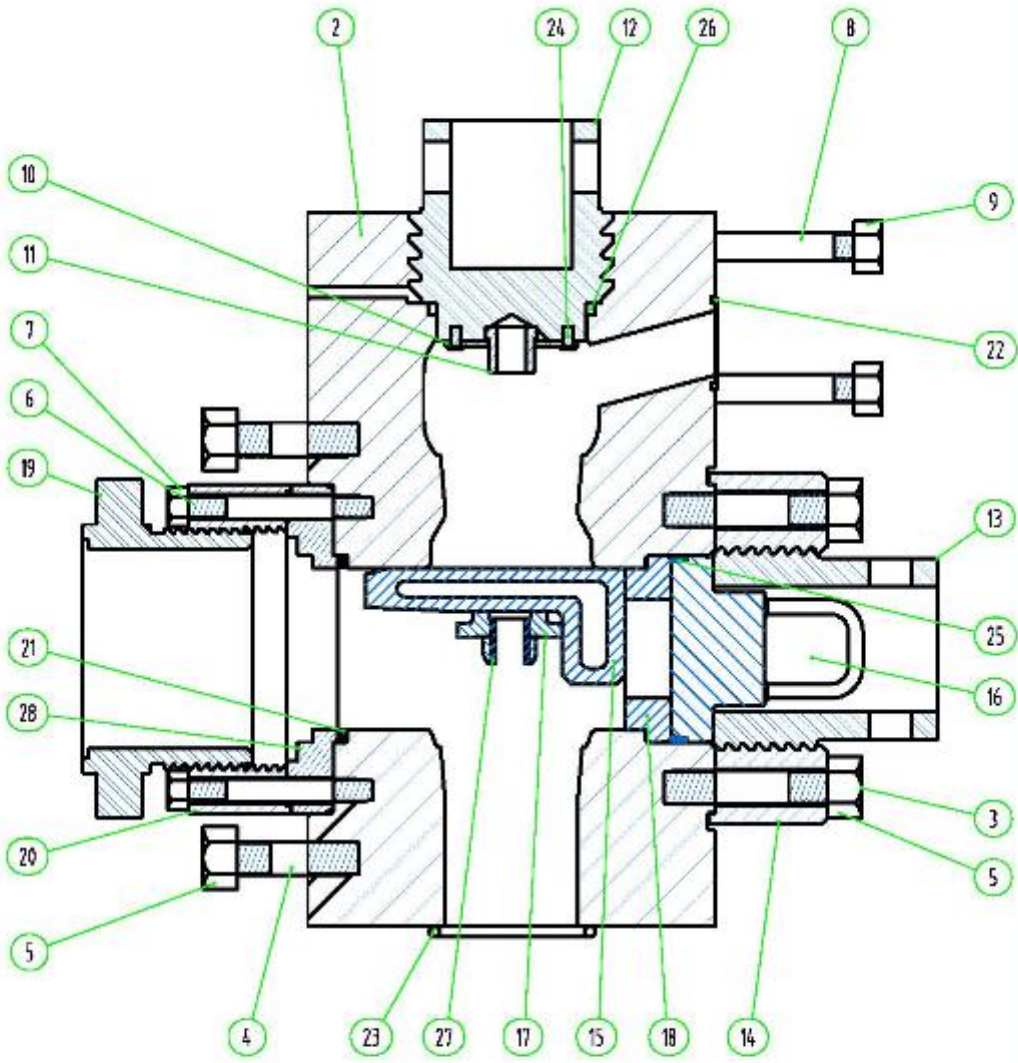


BOMCO

F1300 & F1600 (Imperial)

ITEM	PART NUMBER	BOMCO PART NUMBER	DESCRIPTION	QTY. PER PUMP
1	KR-6316-0357-00	AH130102050100	Fluid Module, Studded (Included Items 2 – 9)	(3)
2	KR-6316-0356-00	AH130102050103	Fluid Module, Only	3
3	KR-7507-2210-00	T500-5006	Stud – Threaded Ring	30
4	KR-7507-2201-00	T500-5007	Stud – Frame	18
5	KR-7601-0630-17	T501-2001	Nut – Frame, Threaded Ring	48
6	KR-7507-2013-00	T500-5005	Stud – Liner Lock	36
7	KR-7601-0610-18	AH130102050102	Nut – Liner Lock	36
8	KR-7507-2108-00	T500-5008	Stud – Discharge Manifold	12
9	KR-7601-0630-24	T501-2002	Nut – Discharge Manifold	12
10	KR-6397-0603-00	AH1001010512	Retainer Plate	3
11	KR-6397-0575-00	AH1001010510	Upper Valve Guide	3
12	KR-6316-0039-00	AH1301020502	Valve Cover	3
13	KR-6316-0362-00	AH1301010503	Cylinder Head	3
14	KR-6316-0361-00	AH1301010502	Cylinder Threaded Ring	3
15	KR-AH130101050400	AH130101050400	Retainer – Lower Valve Guide	3
16	KR-AH130101050600	AH130101050600	Cylinder Head Plug	3
17	KR-AH130101050500	AH130101050500	Lower Valve Guide with Bushing	3
18	KR-AH1301010507	AH1301010507	Alignment Ring	3
19	KR-6316-0367-00	AH130101051500	Liner Lock	3
20	KR-6316-0366-00	AH1301010514	Liner Threaded Ring	3
21	KR-6316-0373-00	AH1301010512	Seal – Wear Plate, Liner	3
22	KR-7602-1600-25	530301010950053000	Seal – Discharge Manifold	3
23	KR-7602-1600-61	530301011850070007	Seal – Suction Manifold	3
24	KR-7501-0051-00	AH0501020509	Retainer Bolt	12
25	KR-6316-0369-00	AH1301010508	Seal – Cylinder Head Plug	3
26	KR-6316-0092-00	AH1301010510	Seal – Valve Pot Cover	3
27	KR-6316-0096-00	AH130101050502	Valve Guide Bushing	3
28	KR-6316-0365-00	AH1301020503	Wear Plate	3

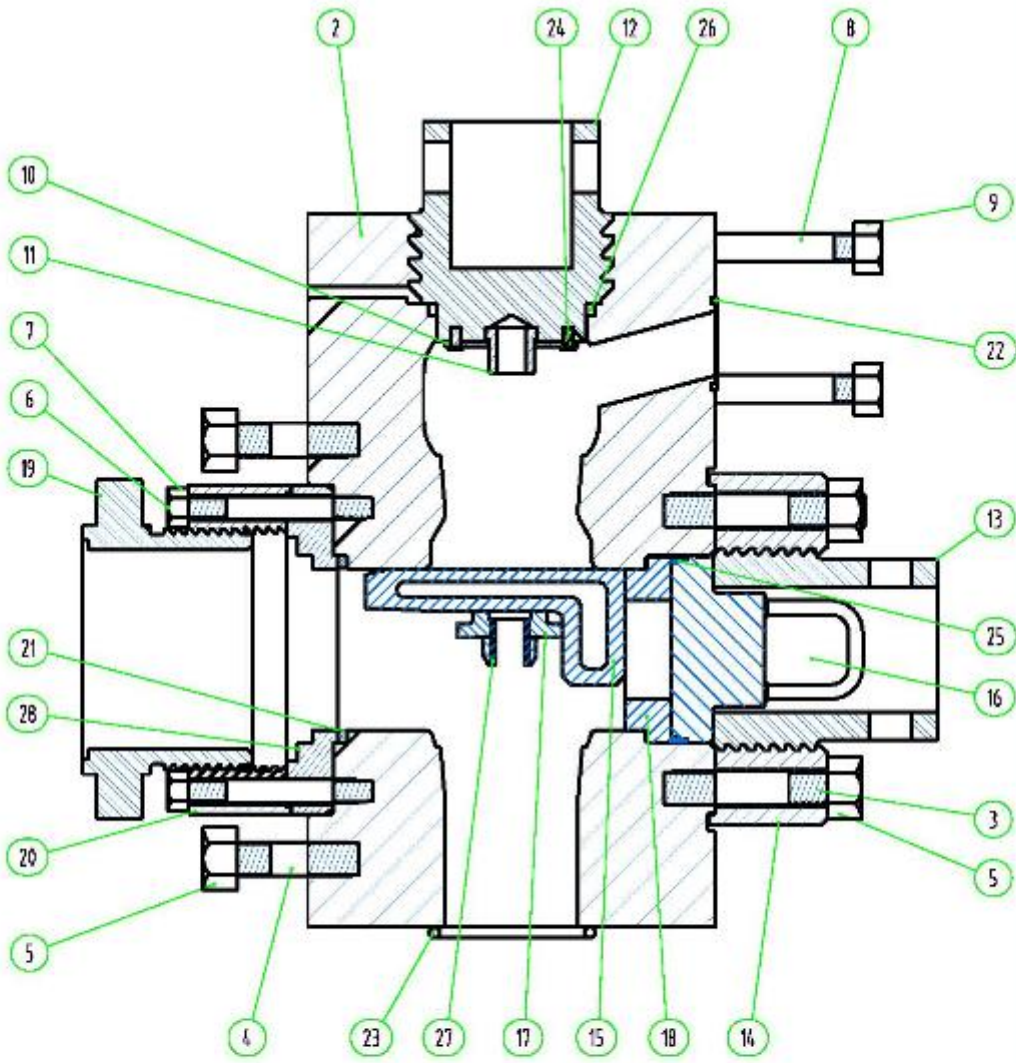
BOMCO F-1300 & F-1600(Imperial)
FLUID END MODULE AND
ACCESSORIES
KERUI PRODUCTS



BOMCO F1300 & F1600 (Metric)

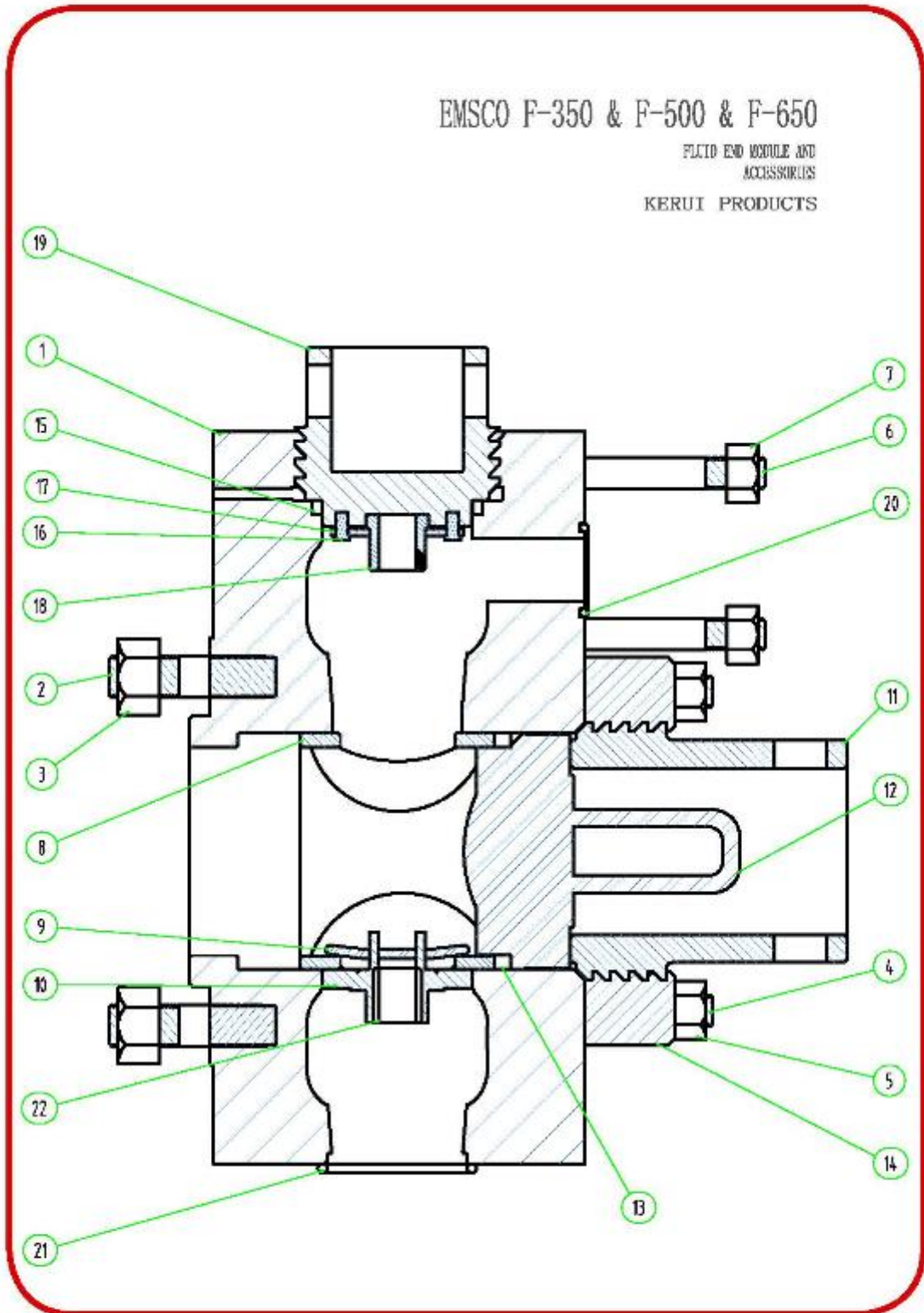
ITEM	PART NUMBER	BOMCO PART NUMBER	DESCRIPTION	QTY. PER PUMP
1	KR-6316-0357-00M	AH130101050100	Fluid Module, Studded (Included Items 2 – 9)	(3)
2	KR-6316-0356-00M	AH130101050101	Fluid Module, Only	3
3	KR-7507-2210-00M	T503-3007	Stud – Threaded Ring	30
4	KR-7507-2201-00M	T503-3005	Stud – Frame	18
5	KR-7601-0630-17M	T507-2011	Nut – Frame, Threaded Ring	48
6	KR-7507-2013-00M	T503-3008	Stud – Liner Lock	36
7	KR-7601-0610-18M	AH130101050102	Nut – Liner Lock	36
8	KR-7507-2108-00M	T503-3006	Stud – Discharge Manifold	12
9	KR-7601-0630-24M	T507-2009	Nut – Discharge Manifold	12
10	KR-6397-0603-00	AH1001010512	Retainer Plate	3
11	KR-6397-0575-00	AH1001010510	Upper Valve Guide	3
12	KR-6316-0039-00M	AH1301010511	Valve Cover	3
13	KR-6316-0362-00	AH1301010503	Cylinder Head	3
14	KR-6316-0361-00	AH1301010502	Cylinder Threaded Ring	3
15	KR-AH130101050400	AH130101050400	Retainer – Lower Valve Guide	3
16	KR-AH130101050600	AH130101050600	Cylinder Head Plug	3
17	KR-AH130101050500	AH130101050500	Lower Valve Guide with Bushing	3
18	KR-AH1301010507	AH1301010507	Alignment Ring	3
19	KR-6316-0367-00	AH130101051500	Liner Lock	3
20	KR-6316-0366-00	AH1301010514	Liner Threaded Ring	3
21	KR-6316-0373-00	AH1301010512	Seal – Wear Plate, Liner	3
22	KR-7602-1600-25	530301010950053000	Seal – Discharge Manifold	3
23	KR-7602-1600-61	530301011850070007	Seal – Suction Manifold	3
24	KR-7501-0051-00M	AH1001010513	Retainer Bolt	12
25	KR-6316-0369-00	AH1301010508	Seal – Cylinder Head Plug	3
26	KR-6316-0092-00	AH1301010510	Seal – Valve Pot Cover	3
27	KR-6316-0096-00	AH130101050502	Valve Guide Bushing	3
28	KR-6316-0365-00M	AH1301010513	Wear Plate	3

BOMCO F-1300 & F-1600 (Metric)
FLUID END MODULE AND
ACCESSORIES
KERUI PRODUCTS



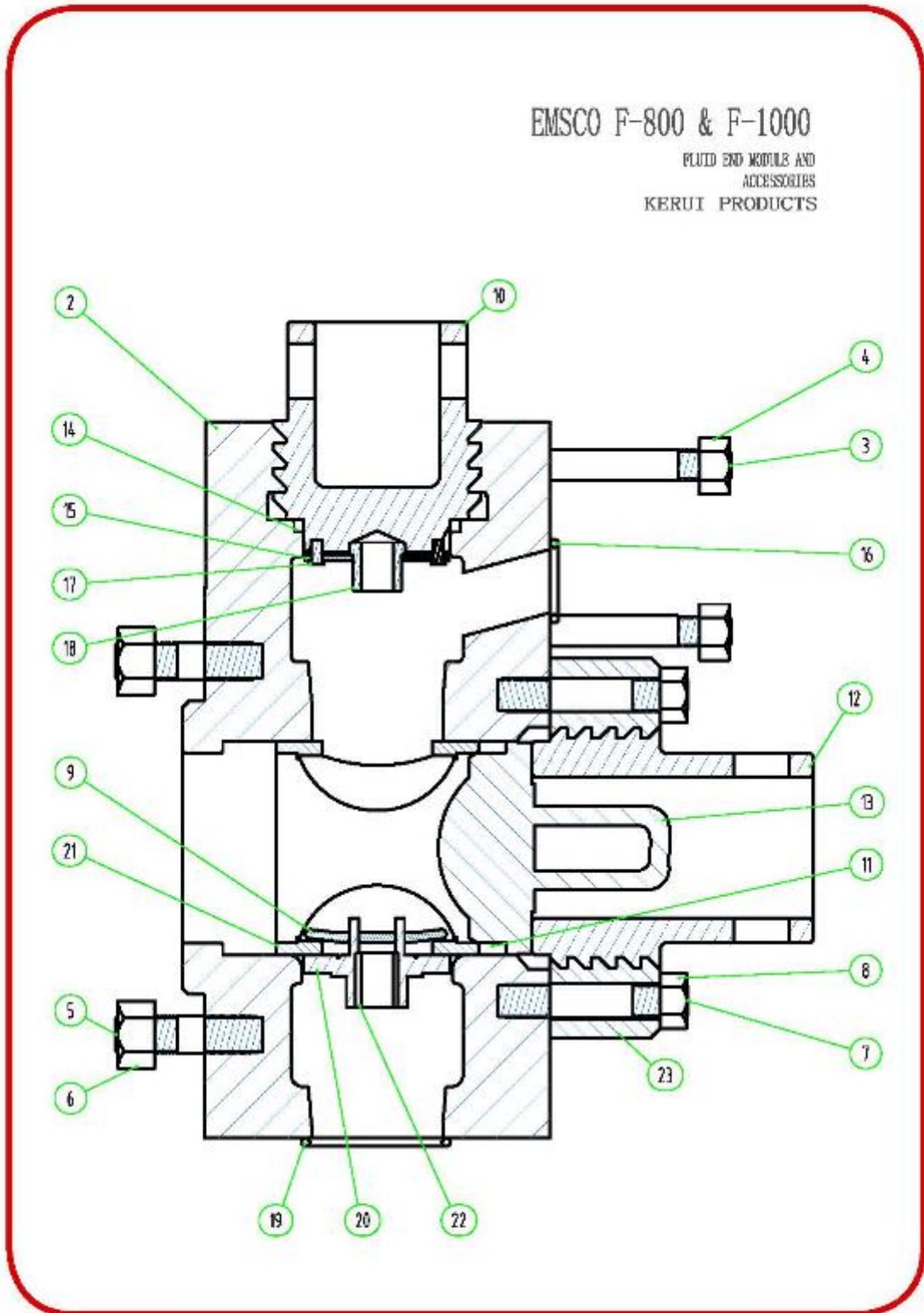
EMSCO F350 & F500 & F650

ITEM	PART NUMBER	DESCRIPTION	QTY. PER PUMP
	KR6318-0151-00	Fluid Module, Studded(include Items 2-7)	(3)
1		Fluid Module, Only	3
2	KR-7507-2207-00	Stud – Frame	18
3	KR-7601-0630-17	Nut – Frame	18
4	KR-7507-3402-00	Stud – Threaded Ring	36
5	KR-7601-0630-26	Nut – Threaded Ring	36
6	KR-7507-3407-00	Stud – Discharge Manifold	12
7	KR-7601-0630-26	Nut – Discharge Manifold	12
8	KR-6318-0148-00	Liner Cage	3
9	KR-6318-0153-00	Locking Clip	3
10	KR-6318-0177-00	Lower Valve Guide with Bushing	3
11	KR-6318-0157-00	Cylinder Head	3
12	KR-6318-0158-00	Cylinder Head Plug	3
13	KR-7602-2200-34	Gasket – Liner	6
14	KR-6318-0130-00	Threaded Ring	3
15	KR-6310-0084-00	Gasket – Valve Pot Cover	3
16	KR-7501-0051-00	Retainer Bolt	12
17	KR-6310-0133-00	Retainer Plate	3
18	KR-6397-0602-00	Upper Valve Guide	3
19	KR-6310-0016-01	Valve Pot Cover	3
20	KR-7602-1600-23	Gasket – Discharge Manifold	3
21	KR-7602-1600-33	Gasket – Suction Manifold	3
22	KR-6318-0155-00	Lower Valve Guide Bushing	3



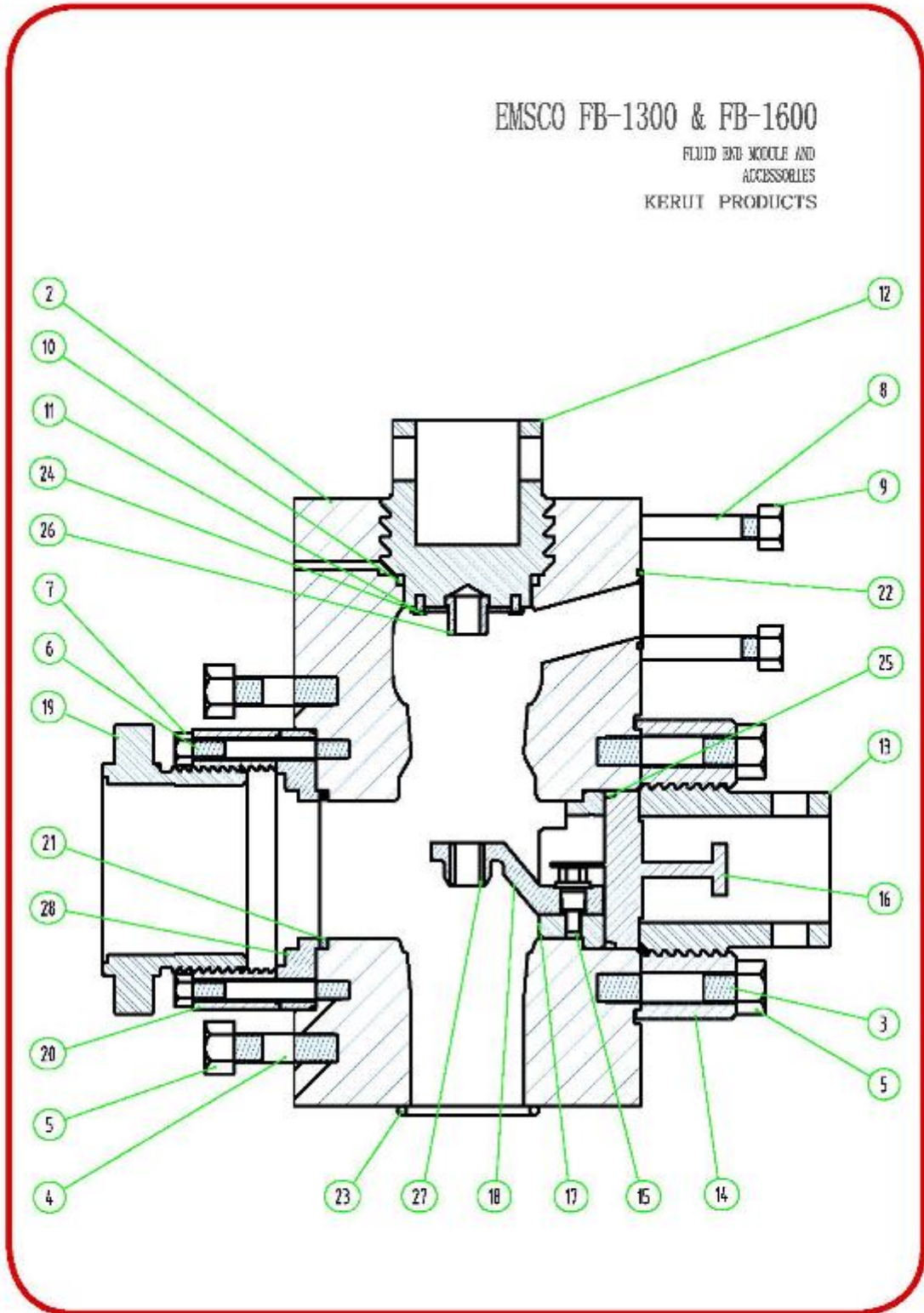
EMSCO F800 & F1000

ITEM	PART NUMBER	DESCRIPTION	QTY.PER PUMP
1	KR-6999-0086-02	Fluid Module, Studded (Included Items 2 –8)	(3)
2	KR-6999-0087-02	Fluid Module, Only	3
3	KR-7507-2108-00	Stud – Discharge Manifold	12
4	KR-7601-0630-24	Nut – Discharge Manifold	12
5	KR-7507-2205-00	Stud – Frame	18
6	KR-7601-0630-17	Nut – Frame	18
7	KR-7507-2150-00	Stud – Threaded Ring	30
8	KR-7601-0630-26	Nut – Threaded Ring	30
9	KR-6319-0089-00	Locking Clip	3
10	KR-6319-0027-00	Valve Pot Cover	3
11	KR-7602-2200-32	Seal ,Liner, Cylinder Head Plug	3
12	KR-6319-0090-00	Cylinder Head	3
13	KR-6319-0031-00	Cylinder Head Plug	3
14	KR-6319-0076-00	Seal – Valve Pot Cover	3
15	KR-6397-0603-00	Retainer Plate	3
16	KR-7602-1610-46	O-Ring, Discharge Manifold	3
17	KR-7501-0051-00	Retainer Bolt	3
18	KR-6397-0575-00	Upper Valve Guide	3
19	KR-7602-1600-61	O-Ring ,Suction Manifold	3
20	KR-6319-0087-00	Lower Valve Guide with Bushing	3
21	KR-6319-0026-00	Liner Cage	3
22	KR-6316-0096-00	Lower Valve Guide Bushing	3
23	KR-6999-0089-00	Threaded Ring	3



EMSCO FB1300 & FB1600

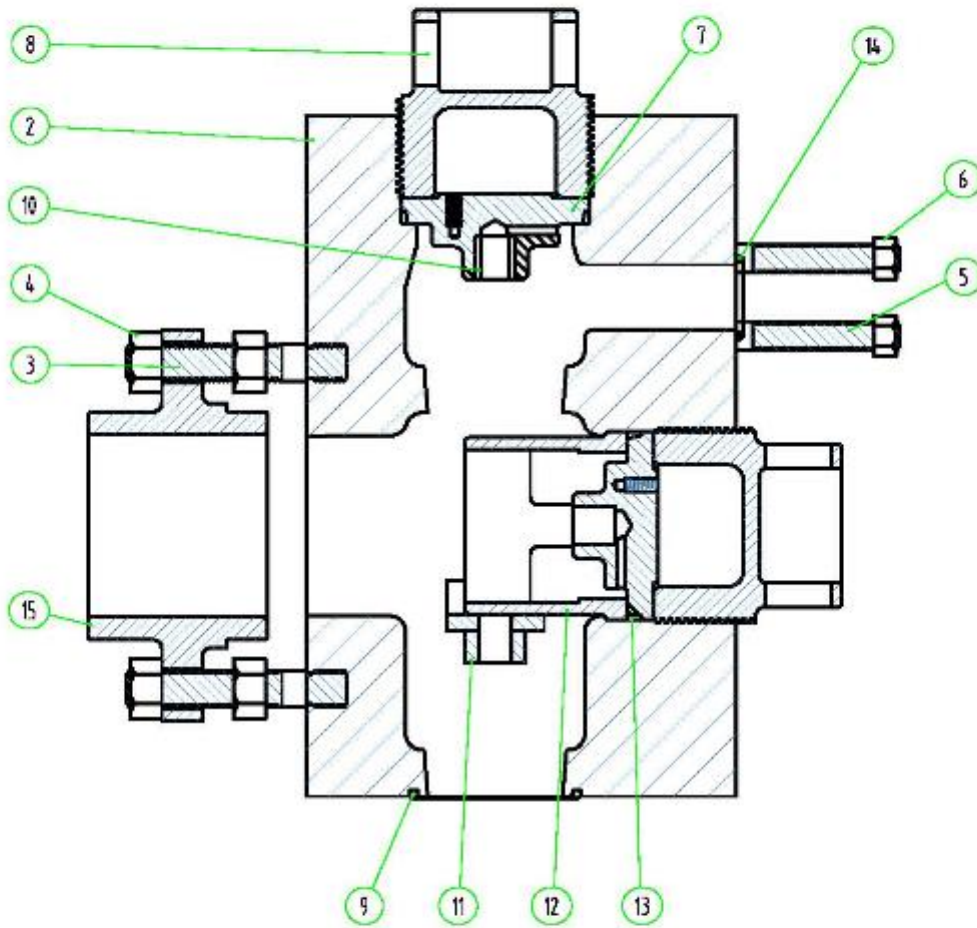
ITEM	PART NUMBER	DESCRIPTION	QTY. PER PUMP
1	KR-6316-0357-00	Fluid Module, Studded (Included Items 2–9)	(3)
2	KR-6316-0356-00	Fluid Module, Only	3
3	KR-7507-2210-00	Stud – Threaded Ring	30
4	KR-7507-2201-00	Stud – Frame	18
5	KR-7601-0630-17	Nut – Frame, Threaded Ring	48
6	KR-7507-2013-00	Stud – Liner Lock	36
7	KR-7601-0610-18	Nut – Liner Lock	36
8	KR-7507-2108-00	Stud – Discharge Manifold	12
9	KR-7601-0630-24	Nut – Discharge Manifold	12
10	KR-6316-0092-00	Seal – Valve Pot Cover	3
11	KR-6397-0603-00	Retainer Plate	3
12	KR-6316-0039-00	Valve Cover	3
13	KR-6316-0362-00	Cylinder Head	3
14	KR-6316-0361-00	Cylinder Threaded Ring	3
15	KR-6316-0360-00	Lock Bolt, Lower Valve Guide	3
16	KR-6316-0364-00	Cylinder Head Plug	3
17	KR-6316-0363-00	Alignment Ring	3
18	KR-6316-0354-00	Lower Valve Guide with Bushing	3
19	KR-6316-0367-00	Liner Lock	3
20	KR-6316-0366-00	Liner Threaded Ring	3
21	KR-6316-0373-00	Seal – Wear Plate, Liner	3
22	KR-7602-1600-25	Seal – Discharge Manifold	3
23	KR-7602-1600-61	Seal – Suction Manifold	3
24	KR-7501-0051-00	Retainer Bolt	12
25	KR-6316-0369-00	Seal – Cylinder Head Plug	3
26	KR-6397-0575-00	Upper Valve Guide	3
27	KR-6316-0096-00	Valve Guide Bushing	3
28	KR-6316-0365-00	Wear Plate	3



GARDNER DENVER PAH (ALL Models)

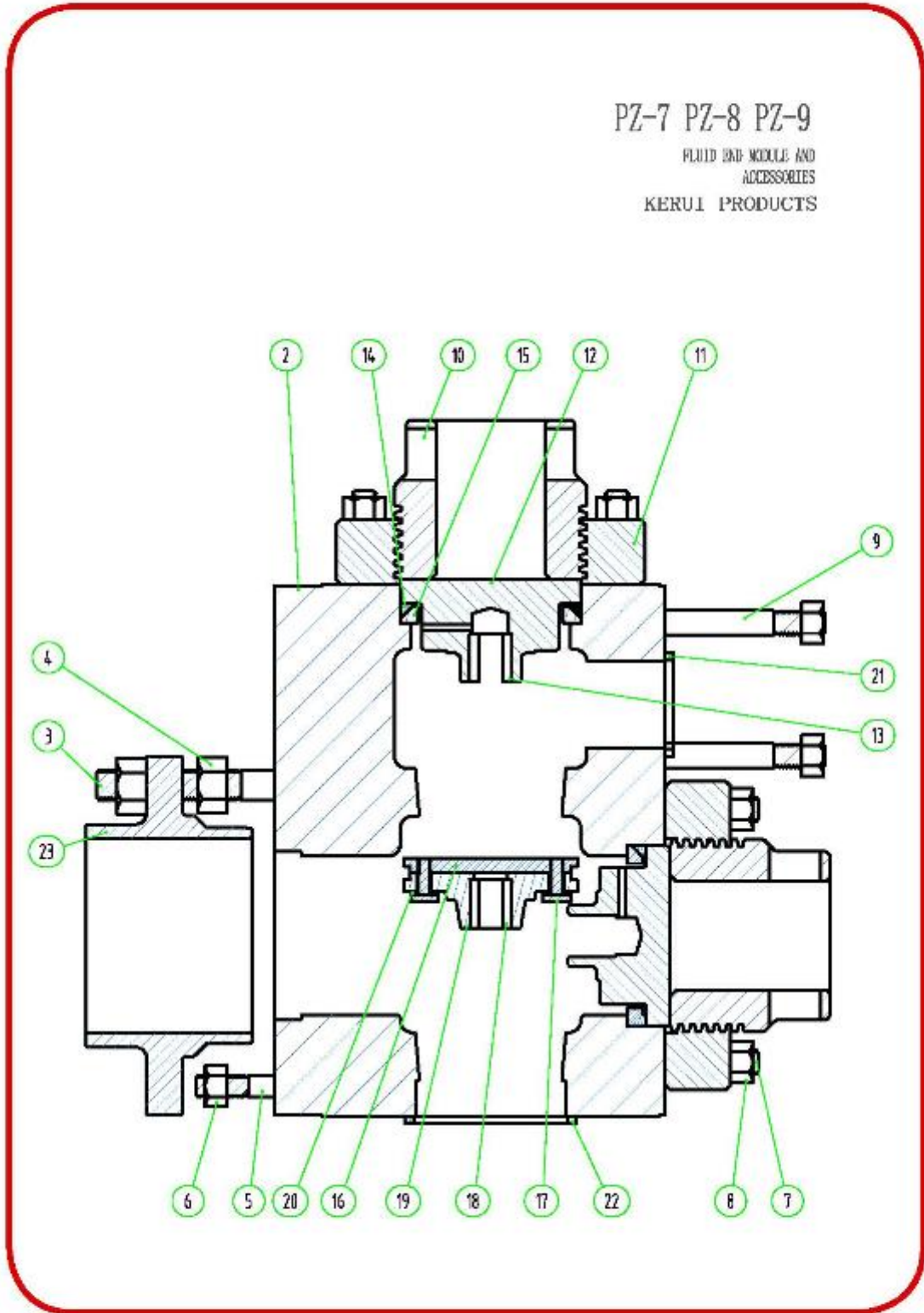
ITEM	PART NUMBER	DESCRIPTION	QTY. PER PUMP
1	KR-200PJH029B	Fluid Module, Studded (Included Items 2 – 6)	(3)
2		Fluid Module, Only	3
3	KR-79AJ2	Stud – Frame, Liner Clamp	18
4	KR-50B35	Nut – Frame, Liner Clamp	36
5	KR-79L142	Stud – Discharge Manifold	12
6	KR-50B9	Nut – Discharge Manifold	12
7	KR-200PJH147	Valve Cover	6
8	KR-3PA587	Threaded Cap	6
9	KR-25G18	Gasket – Suction Manifold	3
10	KR-2013547	Bushing – Discharge Valve Cover	3
11	KR-200PJH483	Valve Guide – Suction	3
12	KR-200PJH205	Retainer	3
13	KR-200PJH715	Gasket – Valve Cover	6
14	KR-25AL54	Gasket – Discharge Manifold	3
15	KR-1PA217	Clamp – Liner	3

PAH (ALL MODELS)
FLUID END MODULE AND
ACCESSORIES
KERUI PRODUCTS



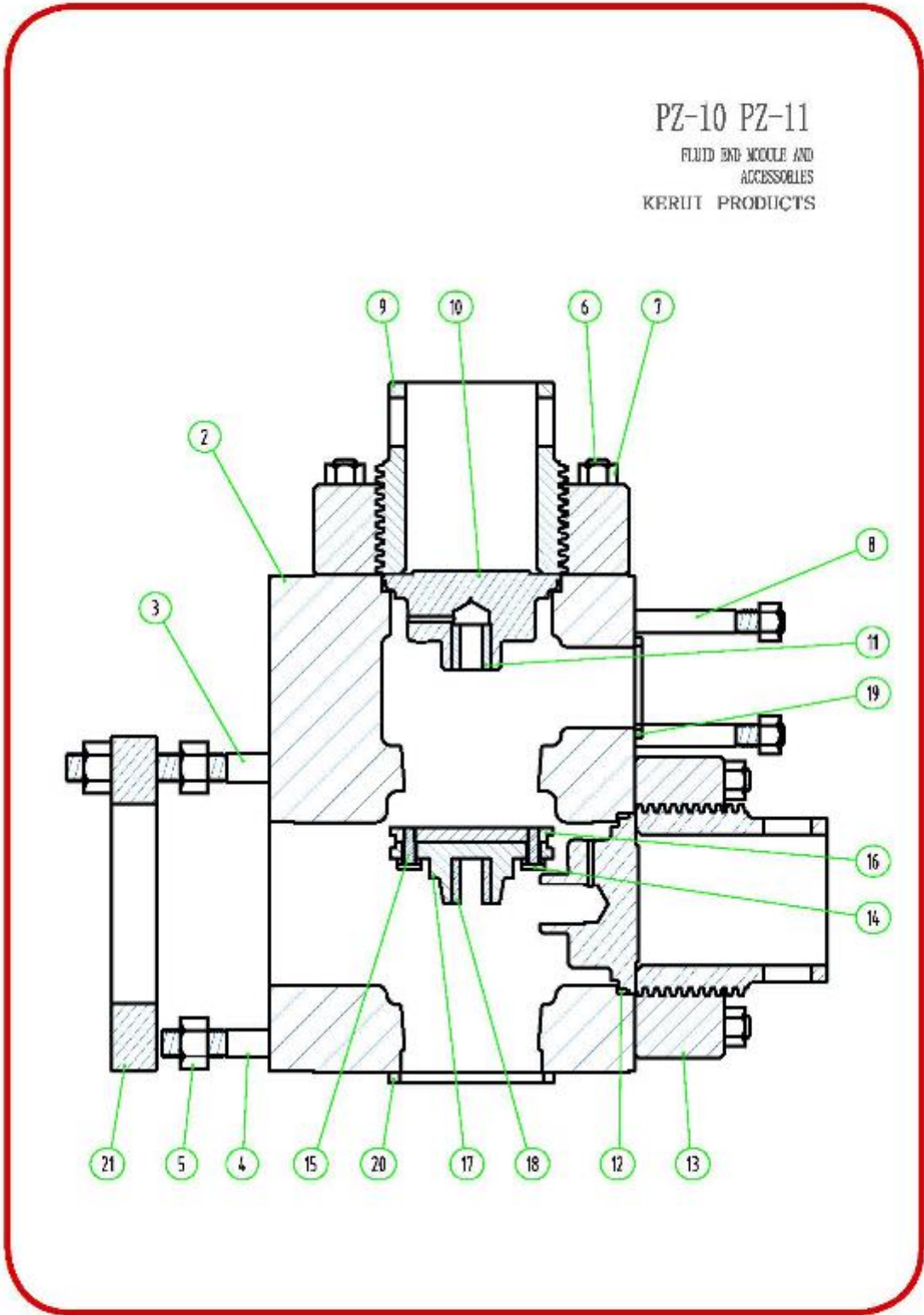
GARDNER DENVER PZ-7 , PZ-8 & PZ-9

ITEM	PART NUMBER	DESCRIPTION	QTY. PER PUMP
	KR-205PZL029D	Fluid Module, Studded (Included Items 2-9)	(3)
2		Fluid Module, Only	3
3	KR-79L188	Stud – Frame, Liner Clamp	24
4	KR-50B36	Nut – Frame, Liner Clamp	48
5	KR-79L73	Stud – Frame	12
6	KR-50AQ30	Nut – Frame	12
7	KR-79AL6	Stud – Threaded Ring	48
8	KR-50B34	Nut – Threaded Ring, Discharge Manifold	60
9	KR-202PZL110	Stud – Discharge Manifold	12
10	KR-2011857	Cap – Valve Lock	6
11	KR-2011699	Threaded Ring	6
12	KR-2011860	Cover – Valve	6
13	KR-2007674	Valve Guide Bushing	3
14	KR-2011862	Gasket – Valve Cover	6
15	KR-2011861	Ring – Retaining / Valve Cover Gasket	6
	KR-2011706	Valve Guide Assembly (Included Items 16 – 20)	(3)
16	KR-2011701	Retainer Plate	3
17	KR-655EE06S	Bolt – Valve Guide / Suction	6
18	KR-2007674	Valve Guide Bushing – Suction	3
19	KR-2011700	Valve Guide – Suction	3
20	KR-95W2	Lock Washer – Valve Guide / Suction	6
21	KR-25AL35	Gasket – Discharge Manifold	3
22	KR-25G41	Gasket – Suction Manifold	3
23	KR-1PV14	Liner Clamp	3



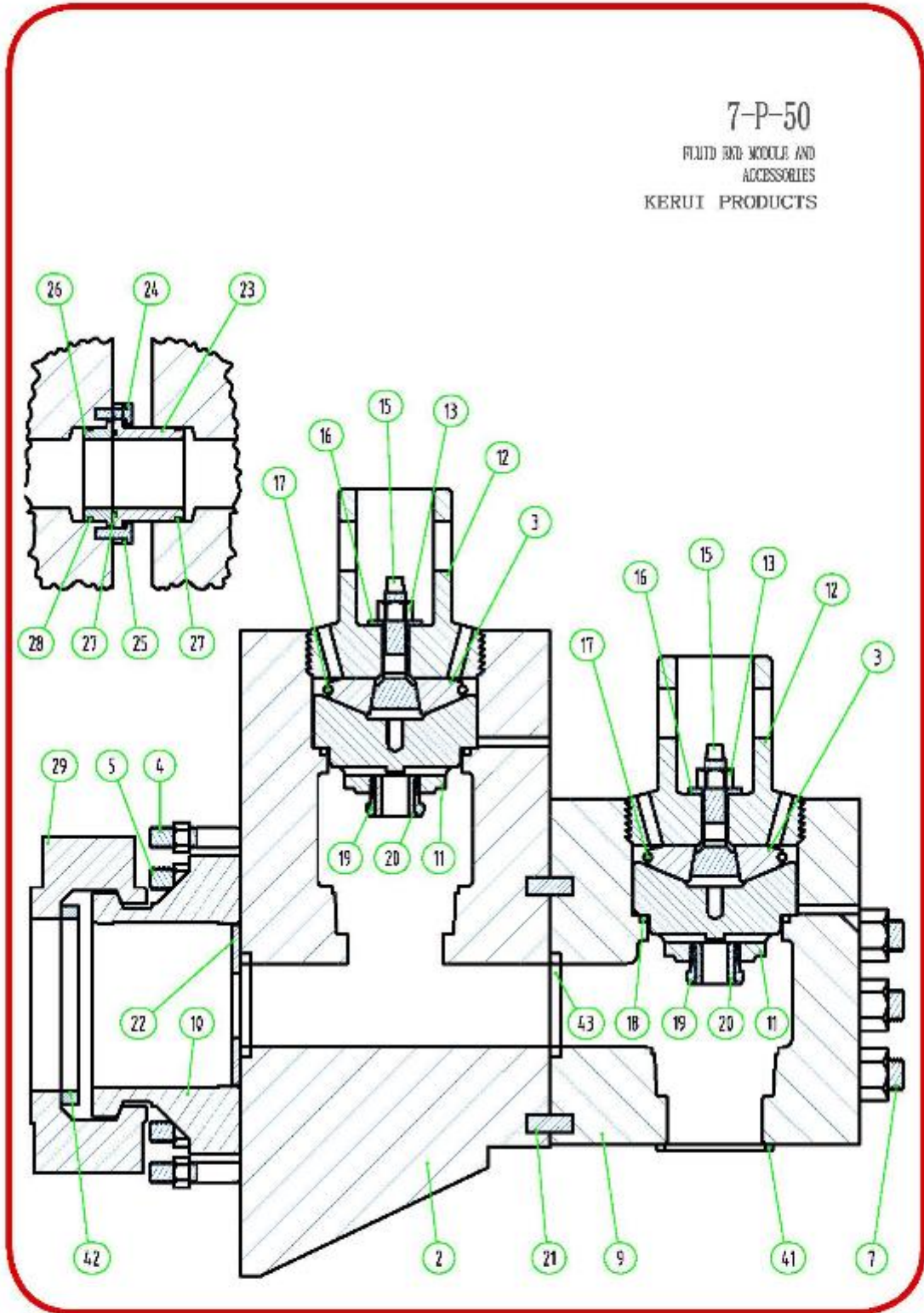
GARDNER DENVER PZ-10 & PZ-11

ITEM	PART NUMBER	DESCRIPTION	QTY. PER PUMP
	KR-202PZL029B	Fluid Module, Studded (Included Items 2 – 9)	(3)
2		Fluid Module, Only	3
3	KR-201PZL110	Stud – Frame, Liner Clamp	24
4	KR-205PZL110	Stud – Frame	24
5	KR-50B36	Nut – Frame, Liner Clamp	60
6	KR-204PZL110	Stud – Threaded Ring	72
7	KR-50B34	Nut – Threaded Ring, Discharge Manifold	84
8	KR-202PZL110	Stud – Discharge Manifold	12
9	KR-200PZL587	Cap – Valve Lock	6
10	KR-200PZL147	Cover – Valve	6
11	KR-2007674	Valve Guide Bushing – Discharge	3
12	KR-204PZL715	Gasket – Valve Cover	6
13	KR-200PZL387	Threaded Ring	6
	KR-200PZL483A	Valve Guide Assembly (Included Items 14 – 18)	(3)
14	KR-95W2	Lock Washer – Valve Guide / Suction	6
15	KR-655EE06S	Bolt – Valve Guide / Suction	6
16	KR-2011701	Retainer Plate	3
17	KR-200PZL483	Valve Guide – Suction	3
18	KR-2007674	Valve Guide Bushing – Suction	3
19	KR-25AL35	Gasket – Discharge Manifold	3
20	KR-25BE41	Gasket – Suction Manifold	3
21	KR-200PZL455	Liner Clamp	3



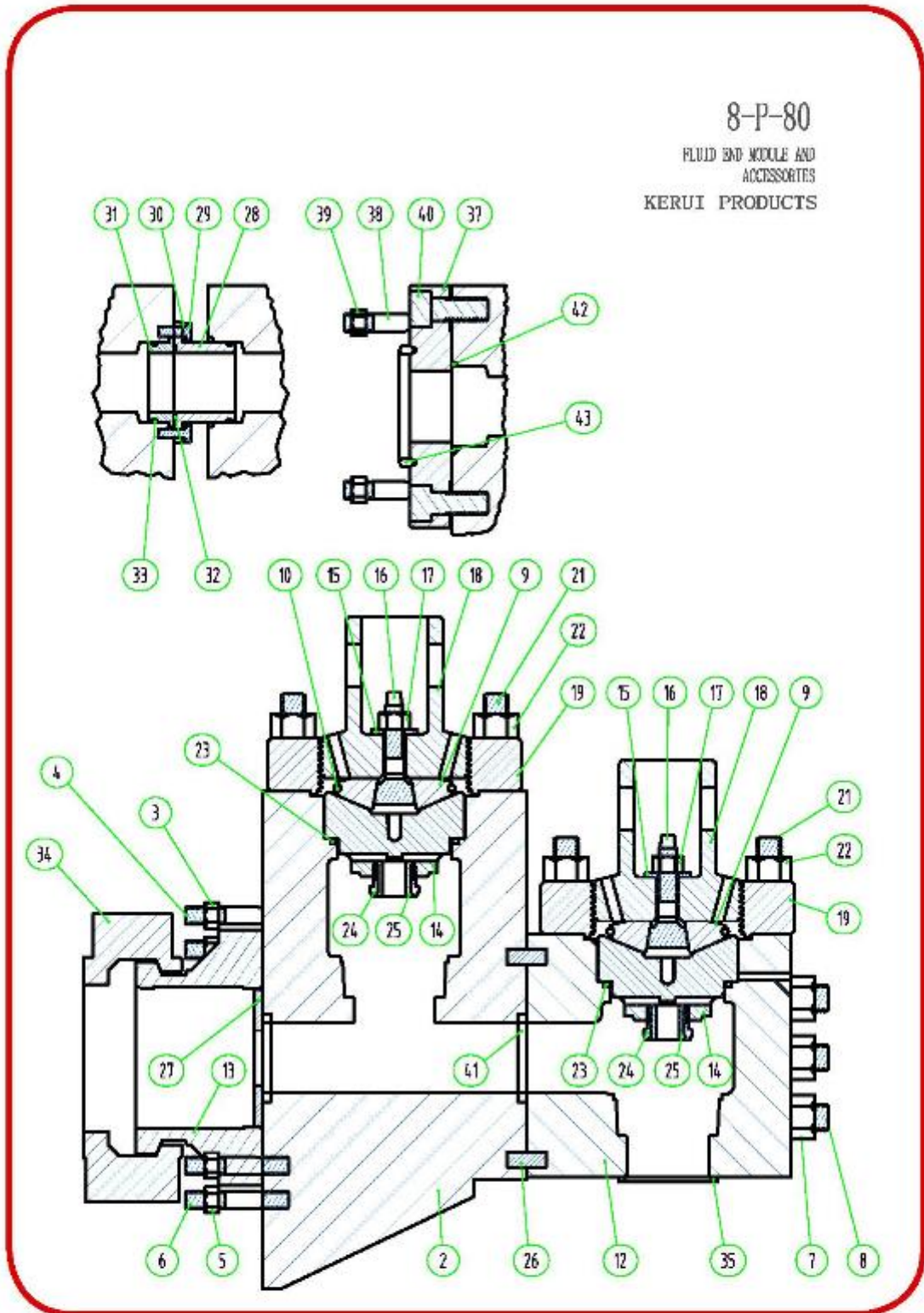
NATIONAL 7-P-50

ITEM	PART NUMBER	DESCRIPTION	QTY.PER PUMP
	KR-1294150	Discharge Module, Studded (Included Items 2,4-7,13)	(3)
2	KR-1294151	Discharge Module, Only	3
3	KR-1290376	Wedge Assembly	6
4	KR-2408042	Stud w/Nut – Frame	24
5	KR-2408043	Stud w/Nut – Liner Bushing	18
7	KR-2408041	Stud w/Nut – Discharge to Suction	18
9	KR-1294156	Suction Module	3
10	KR-1294165	Bushing – Liner	3
11	KR-1294174	Seal Retainer	6
12	KR-1294172	Valve Cover	6
13	KR-6300160	Nut – Wedge Adjusting	24
15	KR-1290178	Screw – Wedge Adjusting	6
16	KR-1290315	Washer – Wedge Adjusting	6
17	KR-1290181	Spring – Wedge Assembly	6
18	KR-1540126	Gasket – Valve Cover	6
19	KR-1292140	Holder – Valve Guide	6
20	KR-1292141	Insert – Valve Guide	6
21	KR-6511416	Pin, 7/8" x 2" Dowell	6
22	KR-1294160	Plate – Wear	3
23	KR-1294170	Connector – Discharge	2
24	KR-7000305-10	Screw, 1/2" x 1 1/2" Hex Head	16
25	KR-7602050	Washer, Spring Lock	16
26	KR-1294171	Adapter – Discharge Connector	2
27	KR-2410031-348	Packing, Rectangular	2
28	KR-2410031-427	Packing, Rectangular	4
29	KR-1294166	Clamp – Liner	3
34	KR-2402560	Stud, 1 1/4" x 6 1/4"	16
35	KR-6300200	Nut 1 1/4" Hvy. Hex	16
41	KR-1 540142	Seal – Suction Manifold	3
42	KR-1294168	Collar – Liner	3
43	KR-1294192	Seal – Module, Wear Plate	6



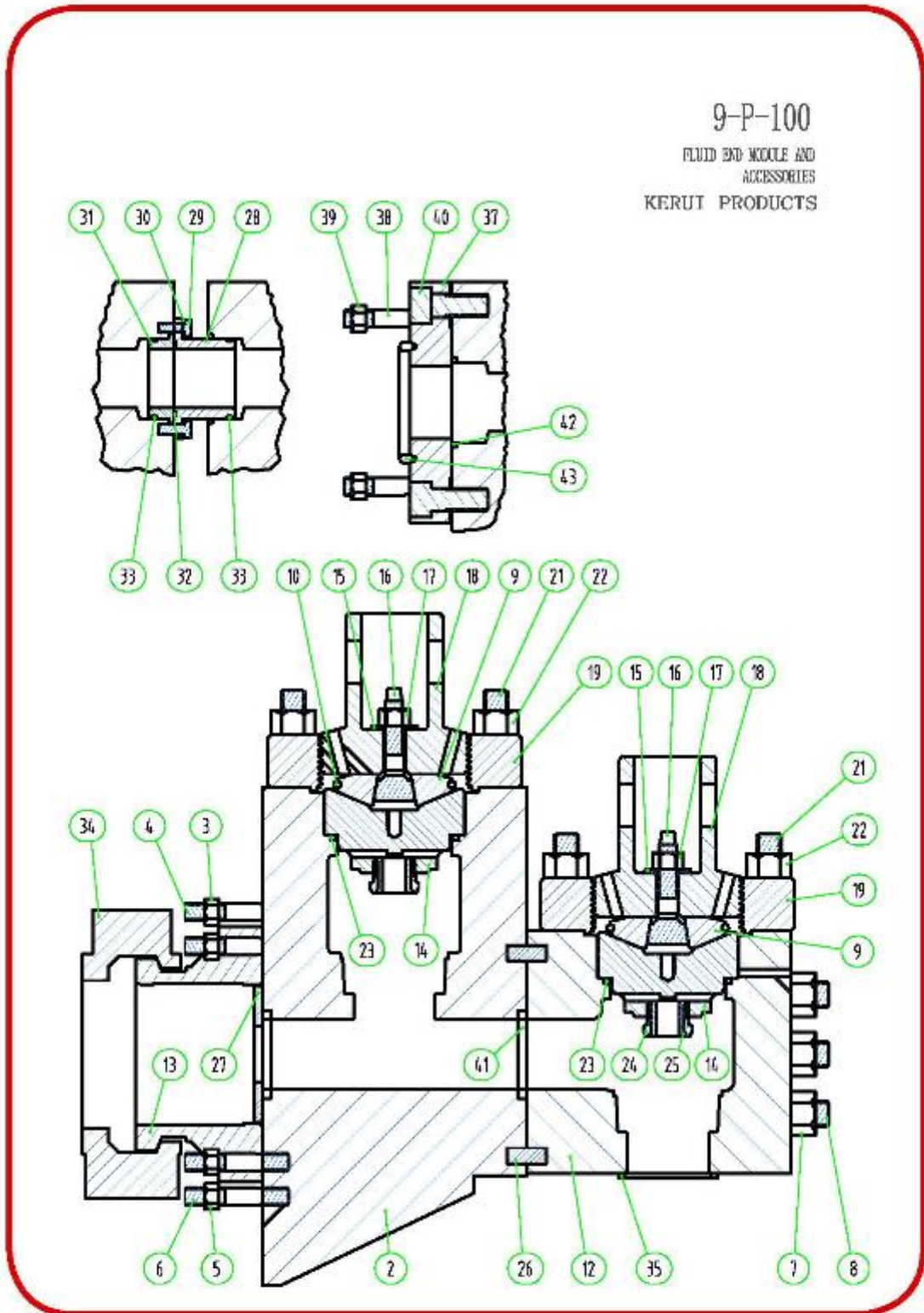
NATIONAL 8-P-80

ITEM	PART NUMBER	DESCRIPTION	QTY.PER PUMP
	KR-1291280	Discharge Module, Studded (Included Items 2-8,21,22)	(3)
2	KR-1291281	Discharge Module, Only	3
3	KR-6300180	Nut – Frame	24
4	KR-2408026	Stud – Frame	24
5	KR-6300120	Nut – Liner Bushing	18
6	KR-2408025	Stud – Liner Bushing	18
7	KR-6300241	Nut – Suction to Discharge Module	18
8	KR-2408034	Stud – Suction to Discharge Module	18
9	KR-1290179	Wedge Set	6
10	KR-1290181	Spring – Wedge Retaining	6
11	KR-1290338	Suction Module, Studded (Included Items 12, 21,22)	-3
12	KR-1290339	Suction Module, Only	3
13	KR-1291165	Bushing – Liner	3
14	KR-1290174	Seal Retainer	6
15	KR-1290315	Washer – Wedge Adjusting	6
16	KR-1290178	Screw – Wedge Adjusting	6
17	KR-6300160	Nut – Wedge Adjusting	6
18	KR-1290307	Valve Cover	6
19	KR-1290308	Threaded Ring	6
20	KR-1290376	Wedge Assembly (Included Items 9,10)	(6)
21	KR-2408019	Stud – Threaded Ring	72
22	KR-6300220	Nut – Threaded Ring	72
23	KR-1540126	Gasket – Valve Cover	6
24	KR-1292140	Holder – Valve Guide	6
25	KR-1292141	Insert – Valve Guide	6
26	KR-6511416	Pin, Dowell	6
27	KR-1290357	Plate – Wear	3
28	KR-1290342	Connector – Discharge	2
29	KR-7000305-11	Screw, Hex Head	16
30	KR-7619050	Washer, Lock	16
31	KR-1290343	Adapter – Discharge Connector	2
32	KR-2410031-348	Packing, Rectangular	2
33	KR-2410031-427	Packing, Rectangular	4
34	KR-1291166	Clamp – Liner	3
35	KR-1590051	Seal – Suction Manifold	3
36	KR-1291286	Spacer – Discharge, Studded (included items 37 – 39)	-2
37	KR-1291287	Spacer – Discharge	2
38	KR-2402560	Stud – Discharge Spacer	16
39	KR-6300200	Nut – Discharge Spacer	16
40	KR-7006607	Cap screw	(16)
41	KR-1290344	Seal – Module, Wear Plate	6
42	KR-1290345	Seal – Discharge Spacer	2
43	KR-6908033	Ring, Oval Joint	2



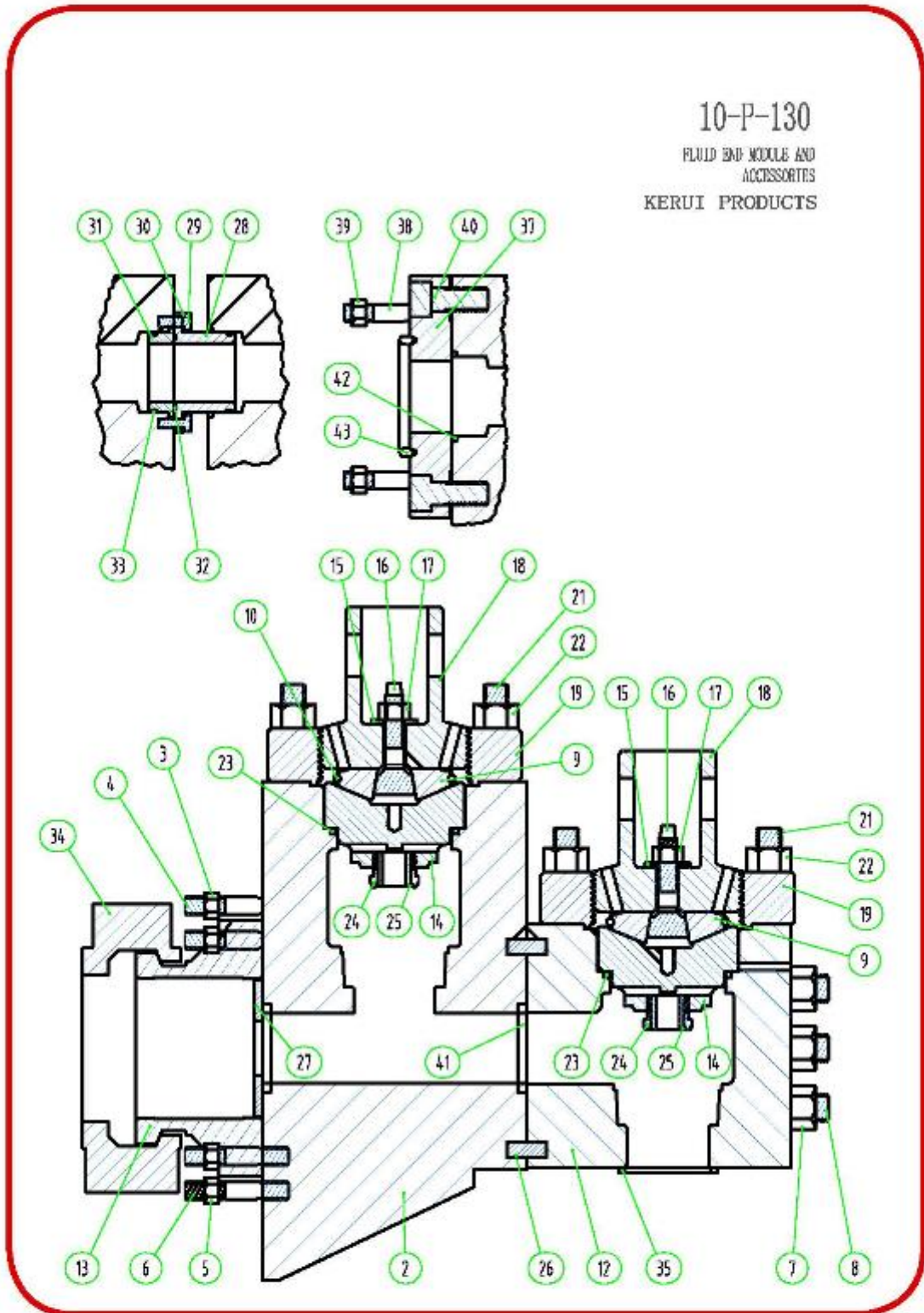
NATIONAL 9-P-100

ITEM	PART NUMBER	DESCRIPTION	QTY.PER PUMP
	KR-1293240	Discharge Module, Studed (Included Items 2-8,21-22)	(3)
2	KR-1293241	Discharge Module, Only	3
3	KR-6300200	Nut – Frame	24
4	KR-2408030	Stud – Frame	24
5	KR-6300160	Nut – Liner Bushing	18
6	KR-2408018	Stud – Liner Bushing	18
7	KR-6300241	Nut – Suction to Discharge Module	18
8	KR-2408034	Stud – Suction to Discharge Module	18
9	KR-1290179	Wedge, Set	6
10	KR-1290181	Spring – Wedge Retaining	6
11	KR-1290338	Suction Module, Studed (Included Items 12,21-22)	(3)
12	KR-1290339	Suction Module, Only	3
13	KR-1293165	Bushing – Liner	3
14	KR-1290174	Seal Retainer	6
15	KR-1290315	Washer – Wedge Adjusting	6
16	KR-1290178	Screw – Wedge Adjusting	6
17	KR-6300160	Nut – Wedge Adjusting	6
18	KR-1290307	Valve Cover	6
19	KR-1290308	Threaded Ring	6
20	KR-1290376	Wedge Assembly (Included Items 9,10)	(6)
21	KR-2408019	Stud – Threaded Ring	72
22	KR-6300220	Nut – Threaded Ring	72
23	KR-1540126	Gasket – Valve Cover	6
24	KR-1292140	Holder – Valve Guide	6
25	KR-1292141	Insert – Valve Guide	6
26	KR-6511416	Pin, Dowell	6
27	KR-1290357	Plate – Wear	3
28	KR-1290342	Connector – Discharge	2
29	KR-7000305-11	Screw, Hex Head	6
30	KR-7619050	Washer, Lock	6
31	KR-1290343	Adapter – Discharge Connector	2
32	KR-2410031-348	Packing, Rectangular	2
33	KR-2410031-427	Packing, Rectangular	4
34	KR-1293166	Clamp – Liner	3
35	KR-1590051	Seal – Suction Manifold	3
36	KR-1293243	Spacer – Discharge, Studed (Included Items 37-39)	(2)
37	KR-1293244	Spacer – Discharge	2
38	KR-2402560	Stud – Discharge Spacer	16
39	KR-6300200	Nut – Discharge Spacer	16
40	KR-70066006	Cap screw	16
41	KR-1290344	Seal – Module, Wear Plate	6
42	KR-1290345	Seal – Discharge Spacer	2
43	KR-6908033	Ring, Oval Joint	2



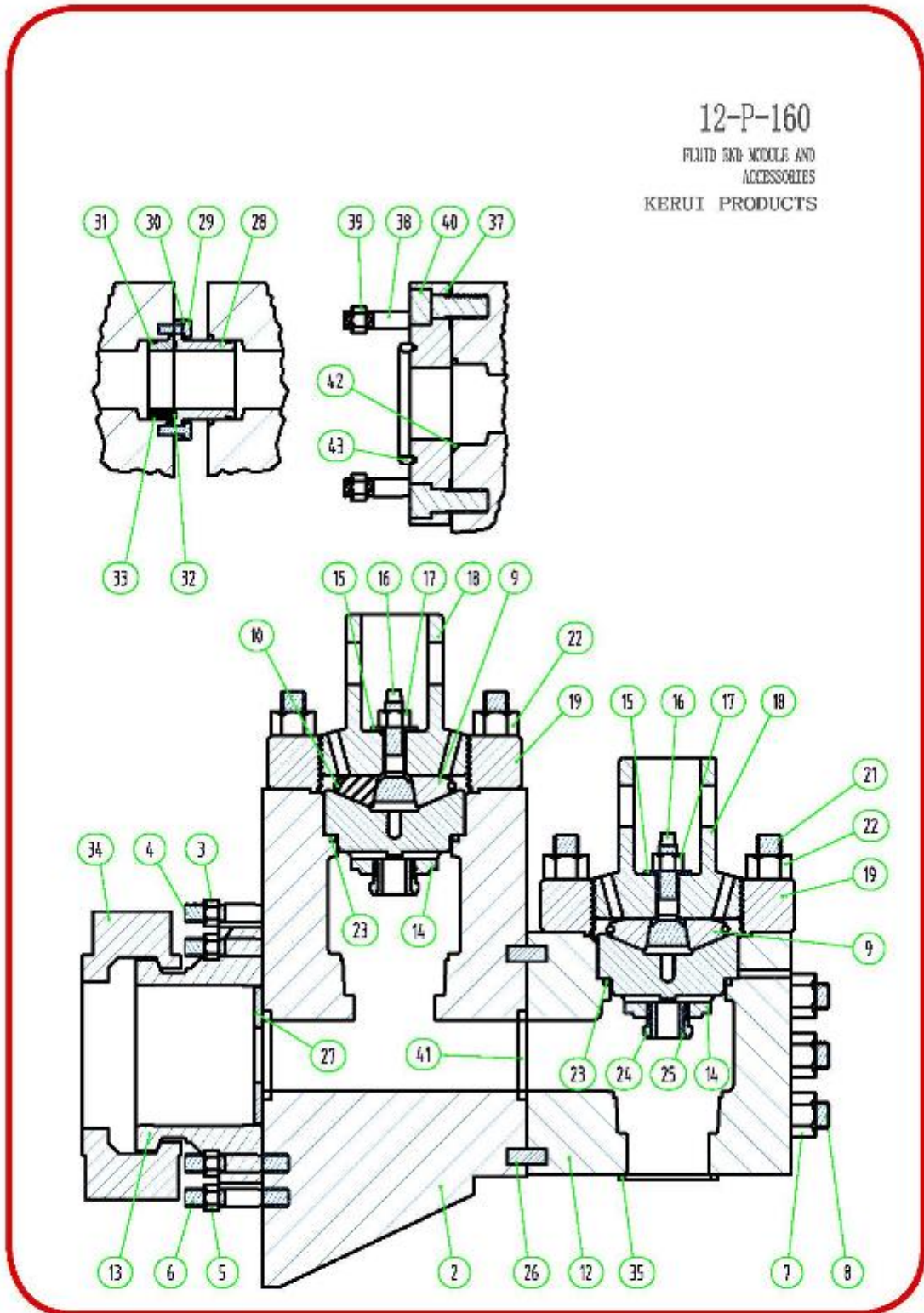
NATIONAL 10-P-130

ITEM	PART NUMBER	DESCRIPTION	QTY.PER PUMP
	KR-1290335	Discharge Module, Studded (Included Items 2-8,21,22)	(3)
2	KR-1290336	Discharge Module, Only	3
3	KR-6300240	Nut – Frame	24
4	KR-2408020	Stud – Frame	24
5	KR-6300160	Nut – Liner Bushing	18
6	KR-2408018	Stud – Liner Bushing	18
7	KR-6300241	Nut – Suction to Discharge Module	18
8	KR-2408034	Stud – Suction to Discharge Module	18
9	KR-1290179	Wedge, Set	6
10	KR-1290181	Spring – Wedge Retaining	6
11	KR-1290338	Suction Module, Studded (Included Items 12,21,22)	(3)
12	KR-1290339	Suction Module, Only	3
13	KR-1290165	Bushing – Liner	3
14	KR-1290174	Seal Retainer	6
15	KR-1290315	Washer – Wedge Adjusting	6
16	KR-1290178	Screw – Wedge Adjusting	6
17	KR-6300160	Nut – Wedge Adjusting	6
18	KR-1290307	Valve Cover	6
19	KR-1290308	Threaded Ring	6
20	KR-1290376	Wedge Assembly (Included Items 9,10)	6
21	KR-2408019	Stud – Threaded Ring	72
22	KR-6300220	Nut – Threaded Ring	72
23	KR-1540126	Gasket – Valve Cover	6
24	KR-1292140	Holder – Valve Guide	6
25	KR-1292141	Insert – Valve Guide	6
26	KR-6511416	Pin, Dowel	6
27	KR-1290357	Plate – Wear	3
28	KR-1290342	Connector – Discharge	2
29	KR-7000305-11	Screw, Hex Head	16
30	KR-7619050	Washer, Lock	16
31	KR-1290343	Adapter – Discharge Connector	2
32	KR-2410031-348	Packing, Rectangular	2
33	KR-2410031-427	Packing, Rectangular	4
34	KR-1290166	Clamp – Liner	3
35	KR-1590051	Seal – Suction Manifold	3
36	KR-1290348	Spacer – Discharge, Studded (Included Items 37 – 39)	(2)
37	KR-1290341	Spacer – Discharge	2
38	KR-2402560	Stud – Discharge Spacer	16
39	KR-6300200	Nut – Discharge Spacer	16
40	KR-7006605	Cap screw	16
41	KR-1290344	Seal – Module, Wear Plate	6
42	KR-1290345	Seal – Discharge Spacer	2
43	KR-6908033	Ring – Oval Joint	2



NATIONAL 12-P-160

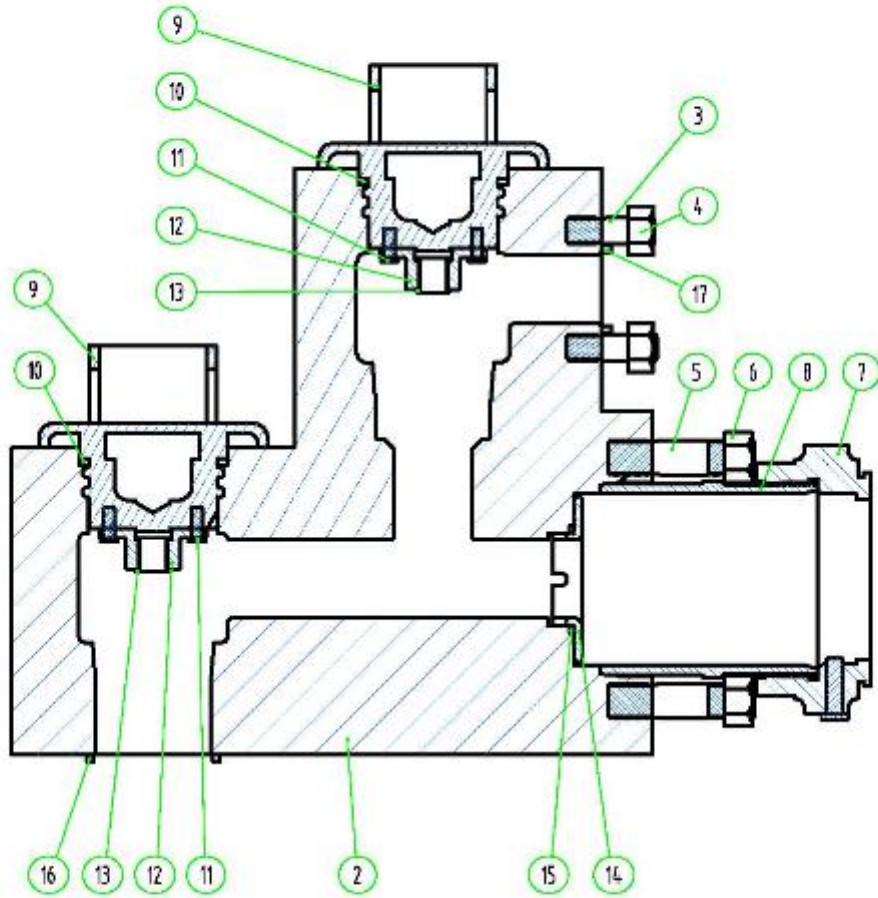
ITEM	PART NUMBER	DESCRIPTION	QTY.PER PUMP
	KR-1292240	Discharge Module, Studded (Included Items 2-8,21,22)	(3)
2	KR-1292241	Discharge Module, Only	3
3	KR-6300220	Nut – Frame	30
4	KR-2408029	Stud – Frame	30
5	KR-6300180	Nut – Liner Bushing	18
6	KR-2408028	Stud – Liner Bushing	18
7	KR-6300281	Nut – Suction to Discharge Module	18
8	KR-2408033	Stud – Suction to Discharge Module	18
9	KR-1292179	Wedge, Set	6
10	KR-1292181	Spring – Wedge Retaining	6
11	KR-1292243	Suction Module, Studded (Included Items 12,21,22)	-3
12	KR-1292244	Suction Module, Only	3
13	KR-1292165	Bushing – Liner	3
14	KR-1292174	Seal Retainer	6
15	KR-1292171	Washer – Wedge Adjusting	6
16	KR-1292178	Screw – Wedge Adjusting	6
17	KR-6300182	Nut – Wedge Adjusting	6
18	KR-1292172	Valve Cover	6
19	KR-1292176	Thread Ring	6
20	KR-1292268	Wedge Assembly (Included Items 9,10)	6
21	KR-2408027	Stud – Threaded Ring	72
22	KR-6300240	Nut – Threaded Ring	72
23	KR-1540127	Gasket – Valve Cover	6
24	KR-1292140	Holder – Valve Guide	6
25	KR-1292141	Insert – Valve Guide	6
26	KR-6511416	Pin, Dowell	6
27	KR-1292266	1Plate – Wear	3
28	KR-1292252	Connector – Discharge	2
29	KR-7000307-11	Screw, Hex Head	16
30	KR-7619050	Washer, Lock	16
31	KR-1292253	Adapter – Discharge Connector	2
32	KR-2410031-433	Packing, Rectangular	2
33	KR-2410031-437	Packing, Rectangular	4
34	KR-1292166	Clamp – Liner	3
35	KR-1540851	Seal – Suction Manifold	3
36	KR-1292262	Spacer – Discharge, Studded (Included Items 37 – 39)	2
37	KR-1292246	Spacer – Discharge	2
38	KR-2408015	Stud – Discharge Spacer	16
39	KR-6300240	Nut – Spacer	16
40	KR-7006685	Cap screw	16
41	KR-1292257	Seal – Module, Wear Plate	6
42	KR-1292258	Seal – Discharge Spacer	2
43	KR-6908040	Ring, Oval Joint	2



OILWELL A-600-PT

ITEM	PART NUMBER	DESCRIPTION	QTY. PER PUMP
1	KR-10-304-052	Discharge Module, Studded (Included Items 2 – 6)	(3)
2		Discharge Module, Only	3
3	KR-45-810-063	Stud – Discharge Manifold	12
4	KR-16-700-025	Nut – Discharge Manifold	12
5	KR-45-810-020	Stud – Frame	12
6	KR-10-200-004	Nut – Frame	12
7	KR-10-305-037	Nut – Liner Adapter	3
8	KR-10-305-020	Liner Adapter	3
9	KR-10-305-097	Valve Cover	6
10	KR-10-268-004	Gasket – Valve Cover	6
11	KR-75-632-135	Cap Screw, Self-Locking ½" – 13 × 1"	24
12	KR-10-304-054	Valve Guide	6
13	KR-20-200-004	Valve Guide Bushing	6
14	KR-10-305-110	1Wear Plate – Liner	6
15	KR-20-100-014	Gasket – Liner Wear Plate	6
16	KR-10-305-103	Seal – Suction Manifold	3
17	KR-08-568-023	Seal – Discharge Manifold	3

A-600-PT
FLUID END MODULE AND
ACCESSORIES
KERUI PRODUCTS

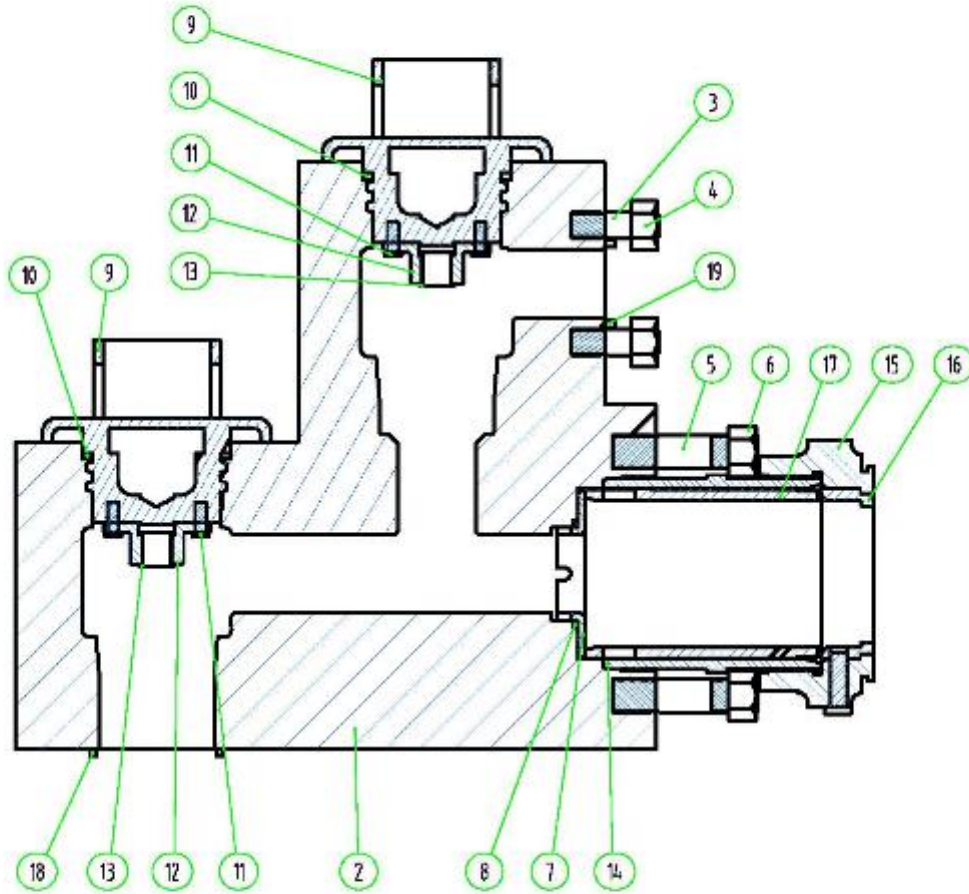


OILWELL

A-850-PT, A-1100-PT, A-1400-PT & A-1700-PT

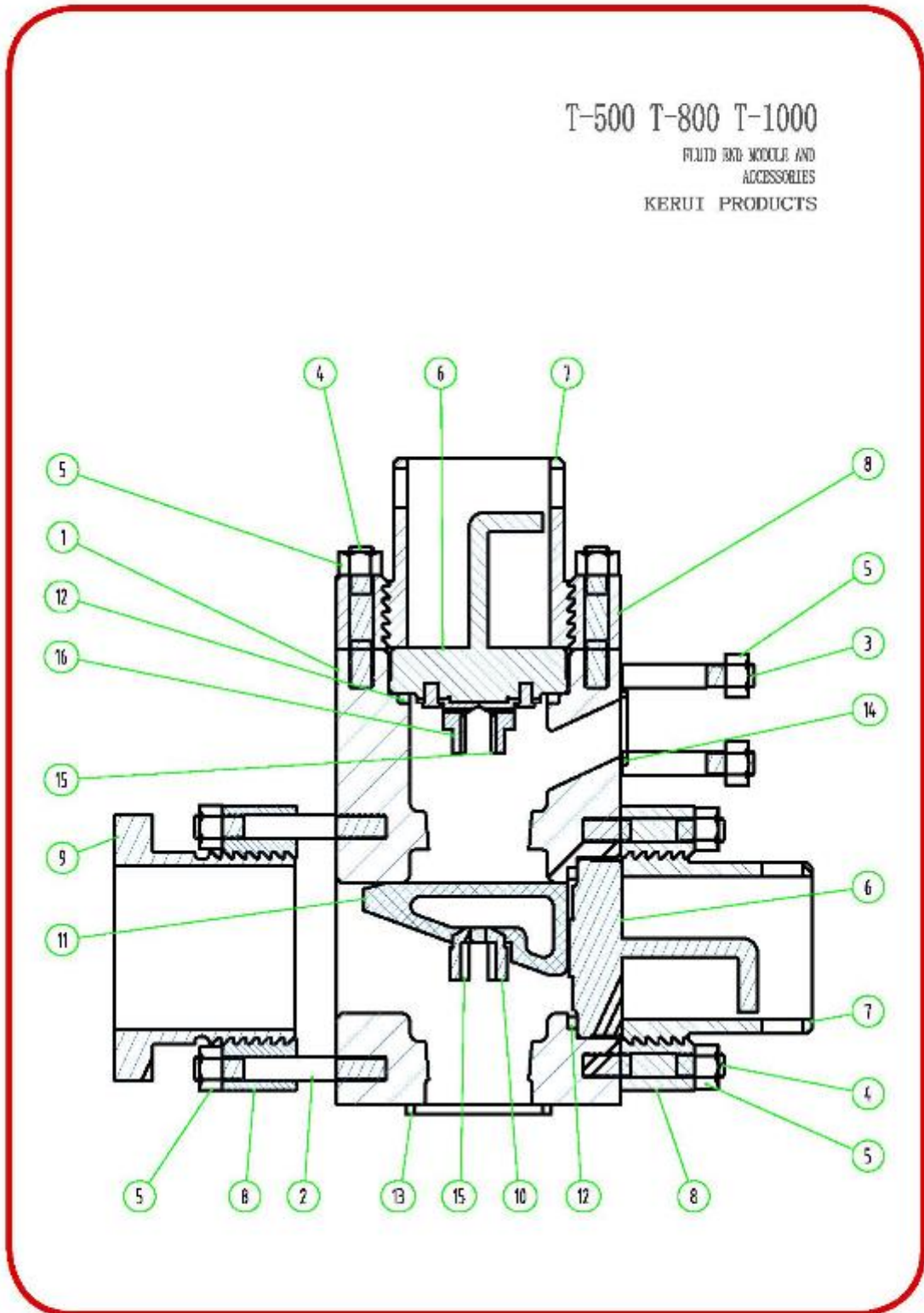
ITEM	PART NUMBER	DESCRIPTION	QTY. PER PUMP
1	KR-10-300-181	Discharge Module, Studed (Included Items 2 – 6)	(3)
2		Discharge Module, Only	3
3	KR-49-001-292	Stud – Discharge Manifold	12
4	KR-75-511-754	Nut – Discharge Manifold	12
5	KR-49-002-837	Stud – Frame	12
6	KR-75-510-126	Nut – Frame	12
7	KR-10-300-184	Wear Plate – Liner	6
8	KR-20-100-008	Gasket – Liner Wear Plate	6
9	KR-10-300-005	Valve Cover	6
10	KR-10-300-011	Gasket – Valve Cover	6
11	KR-75-632-234	Cap Screw, Self-Locking	24
12	KR-10-300-004	Valve Guide	6
13	KR-20-200-004	Valve Guide Bushing	6
14	KR-10-300-183	Liner Adapter	3
15	KR-10-303-092	Nut – Liner Adapter (A850-PT, A1100-PT only)	3
	KR-10-300-182	Nut – Liner Adapter (A1400-PT, A1700-PT only)	3
16	KR-10-300-185	Spacer Ring – Liner	3
17	KR-10-303-091	Centering Sleeve – Liner (A850-PT, A1100-PT only)	3
	KR-10-300-186	Centering Sleeve – Liner (A1400-PT, A1700-PT only)	3
18	KR-10-300-201	Seal – Suction Manifold	3
19	KR-99-609-345	Seal – Discharge Manifold	3

A-850-PT A1100-PT
A-1400-PT A-1700-PT
FLUID END MODULE AND
ACCESSORIES
KERUI PRODUCTS



IDECO T-500, T-800 & T-1000

ITEM	PART NUMBER	DESCRIPTION	QTY. PER PUMP
1	KR-551-458	Fluid Module, Only (Studded Included Items 1– 5)	3
2	KR-551-410-01	Stud – Frame	24
3	KR-551-410-02	Stud – Discharge Manifold	12
4	KR-551-410-03	Stud – Threaded Ring	48
5	KR-IN-416	Nut	84
6	KR-551-422-02	Cylinder Head Plug	3
7	KR-551-405-04	Threaded Plug Retainer	6
8	KR-551-405-03	Threaded Ring	9
	KR-551-422-03	Cylinder Head Plug – Top (Included Items 6 & 16)	3
9	KR-551-405-05	Threaded Liner Retainer	3
10	KR-551-405-07	Lower Valve Guide	3
11	KR-551-422-04	Retainer – Lower Valve Guide	3
12	KR-BMT-1669-63-09	Seal –Cylinder Head Plug, Liner	9
13	KR-IO-521	Seal –Suction Manifold	3
14	KR-IO-548	Seal –Discharge Manifold	3
15	KR-551-405-09	Valve Guide Bushing	6
16	KR-551-405-06	Upper Valve Guide	3



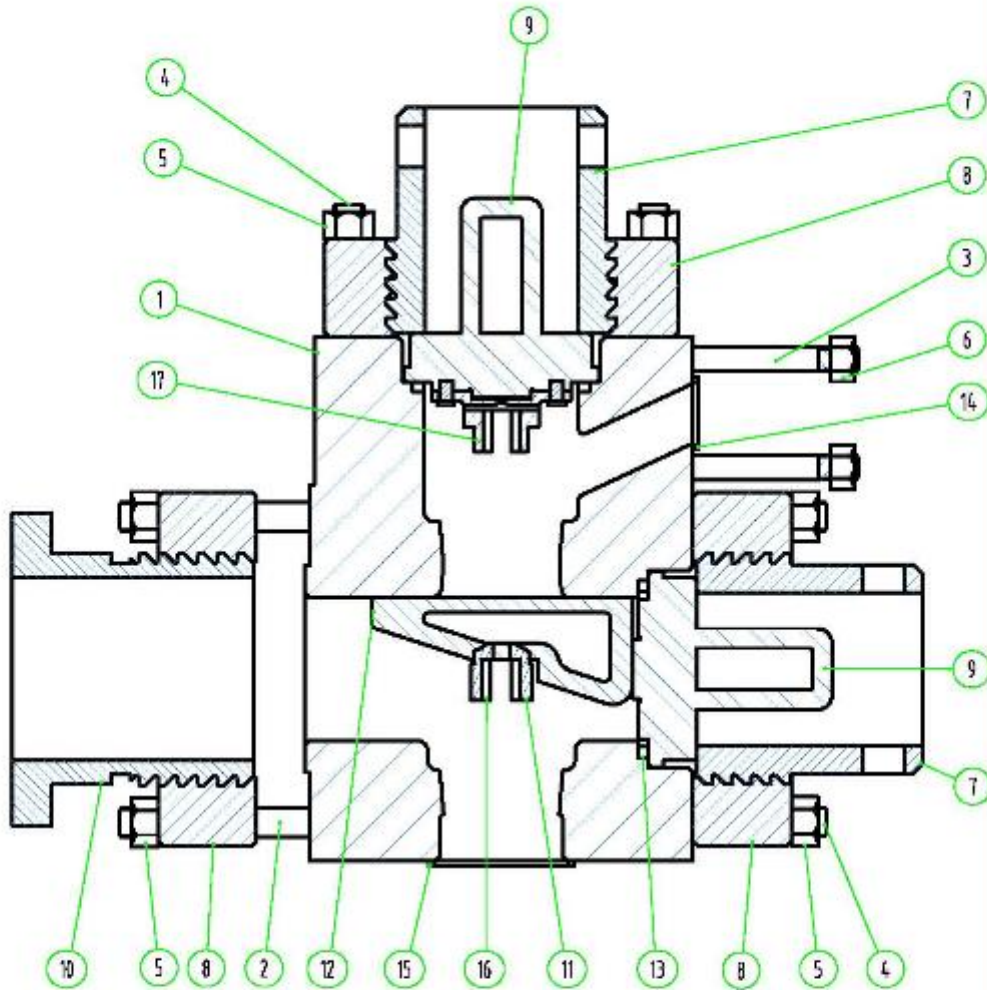
IDECO T-1300 & T-1600

ITEM	PART NUMBER	DESCRIPTION	QTY. PER PUMP
1	KR-551-122-01	Fluid Module Only (Studded Included Items 1-6)	3
2	KR-551-110-01	Stud – Frame, Threaded Ring	24
3	KR-551-110-02	Stud – Discharge Manifold	12
4	KR-551-110-03	Stud – Threaded Ring	48
5	KR-IN-415	Nut – Threaded Ring	72
6	KR-IN-416	Nut – Discharge Manifold	12
7	KR-551-105-04	Threaded Plug Retainer	6
8	KR-551-105-03	Threaded Ring	9
9	KR-551-122-02	Cylinder Head Plug	3
	KR-551-122-03	Cylinder Head Plug – Top (Included Items 9 & 17)	3
10	KR-551-105-05	Threaded Liner Retainer	3
11	KR-551-105-07	Lower Valve Guide	3
12	KR-551-105-08	Retainer – Lower Valve Guide	3
13	KR-BMT-1669-63-08	Seal – Cylinder Head Plug, Liner	9
14	KR-IO-548	Seal – Discharge Manifold	3
15	KR-IO-507	Seal – Suction Manifold	3
16	KR-551-105-09	Valve Guide Bushing	6
17	KR-551-105-06	Upper Valve Guide	3

T-1300 T-1600

FLUID END MODULE AND
ACCESSORIES

KERUI PRODUCTS



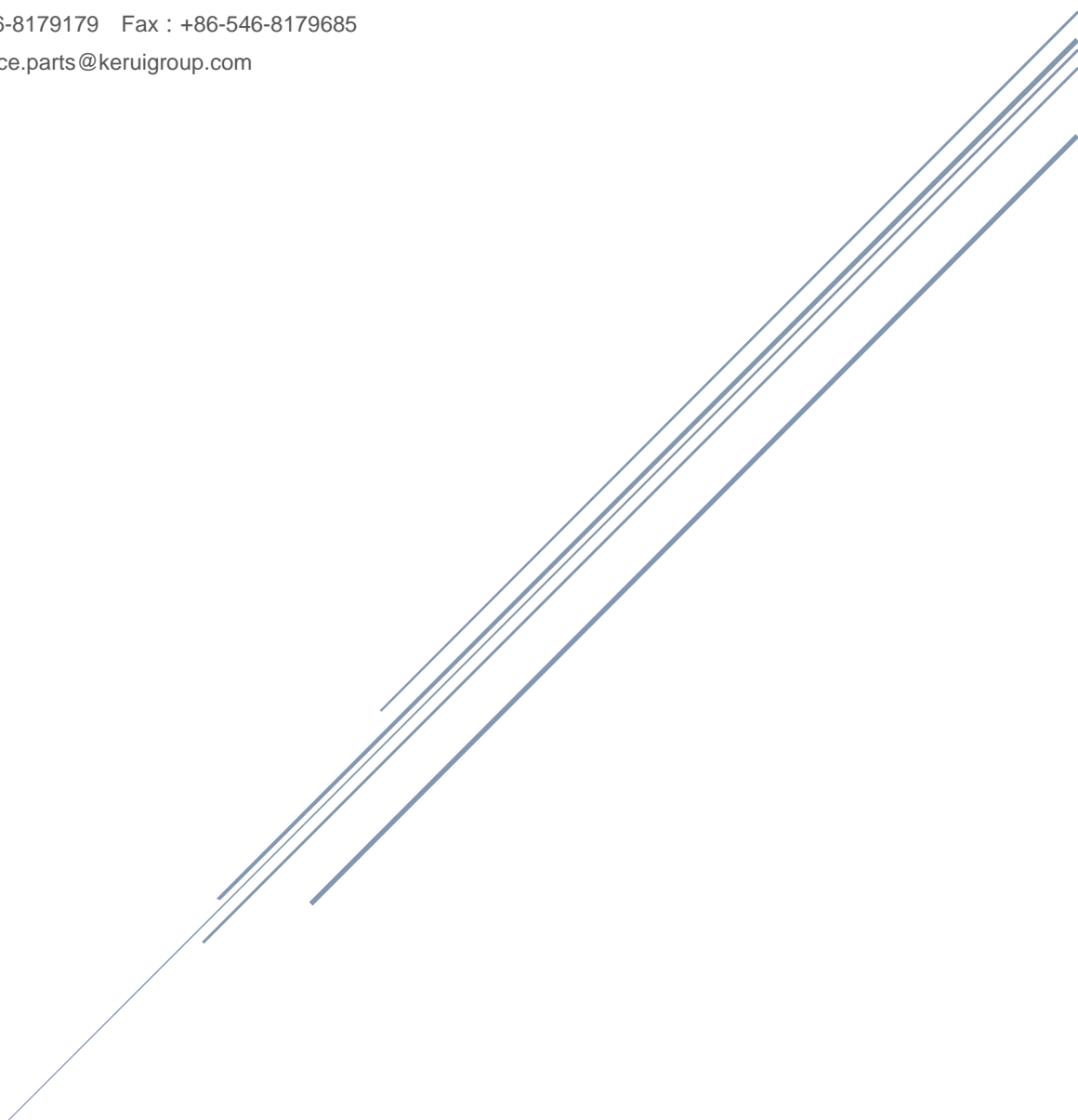
KERUI MUD PUMP EXPENDABLES FLUID END MODULE AND ACCESSORIES

SHANDONG KERUI PETROLEUM EQUIPMENT CO., LTD:

Address : No. 233 Nan'er Road, Dongying, Shandong, China

Tel : +86-546-8179179 Fax : +86-546-8179685

Email : service.parts@keruigroup.com



KERUI
2018.07.01